

# ICS25-B122X98-V-7035 - Mounting base housing



2203885

<https://www.phoenixcontact.com/us/products/2203885>

Please be informed that the data shown in this PDF document is generated from our online catalog. Please find the complete data in the user documentation. Our general terms of use for downloads are valid.

DIN rail housing, Lower housing part with metal foot catch, Level 1: with vents, width: 25 mm, height: 122.5 mm, depth: 108.35 mm, color: light grey (7035), cross connection: DIN rail connector (optional), number of positions cross connector: 8

## Your advantages

- Flexible use, thanks to the modular system and unique modularity in the connection technology
- Standardized connections such as RJ45, USB, D-SUB and antenna sockets as components that can be integrated
- Optimal space utilization, as well as adaptability of design, colors, and printing
- Eight-position DIN rail connectors with parallel and up to two serial contacts for easy module-to-module communication

## Commercial data

Item number	2203885
Packing unit	1 pc
Minimum order quantity	10 pc
Sales key	AC09
Product key	ACHAEB
GTIN	4055626465906
Weight per piece (including packing)	56.31 g
Weight per piece (excluding packing)	47.1 g
Customs tariff number	85389099
Country of origin	DE

## Technical data

### Notes

General	Refer to the data sheet for the range in the download area.
General	Material of contact pads for bus connector, galvanic gold (hard gold)

### Product properties

Product type	Enclosure bottom part
Product family	ICS25-..122X..
Max. number of positions	24 (pitch: 5 mm) 30 (pitch: 3.5 mm)
Number of rows	4
Type	Lower housing part with metal foot catch
Housing type	DIN rail housing
Ventilation openings present	yes
Housing series	ICS

### Dimensions

Dimensional drawing	
Width	25 mm
Height	122.5 mm
Depth	108.35 mm
Depth from top edge of DIN rail to support point on upper part	98.15 mm
Dimensions	25 mm x 122.5 mm x 110 mm (Lower housing part from the top edge of the DIN rail with upper housing part) 25 mm x 122.5 mm x 116.7 mm (Lower housing part with upper housing part)

### PCB design

PCB thickness	1.4 mm ... 1.8 mm
---------------	-------------------

### Material specifications

Color	light grey (7035)
Flammability rating according to UL 94	V0
CTI according to IEC 60112	600
Surface characteristics	untreated
Housing material	Polyamide

### Environmental and real-life conditions

#### Power dissipation single housing for 20 °C

Ambient temperature	20 °C
Reduction factor	1
Mounting position	vertical

# ICS25-B122X98-V-7035 - Mounting base housing



2203885

<https://www.phoenixcontact.com/us/products/2203885>

Power dissipation	17 W
-------------------	------

## Power dissipation single housing for 30 °C

Ambient temperature	30 °C
Reduction factor	0.81
Mounting position	vertical
Power dissipation	13.5 W

## Power dissipation single housing for 40 °C

Ambient temperature	40 °C
Reduction factor	0.67
Mounting position	vertical
Power dissipation	11.4 W

## Power dissipation single housing for 50 °C

Ambient temperature	50 °C
Reduction factor	0.53
Mounting position	vertical
Power dissipation	9 W

## Power dissipation single housing for 60 °C

Ambient temperature	60 °C
Reduction factor	0.41
Mounting position	vertical
Power dissipation	7 W

## Power dissipation single housing for 70 °C

Ambient temperature	70 °C
Reduction factor	0.31
Mounting position	vertical
Power dissipation	5.3 W

## Vibration test

Specification	IEC 60068-2-6:2007-12
Frequency	10 - 150 - 10 Hz
Sweep speed	1 octave/min
Amplitude	0.15 mm (10 Hz ... 58.1 Hz)
Acceleration	2g (58.1 Hz ... 150 Hz)
Test duration per axis	2.5 h
Test directions	X-, Y- and Z-axis

## Glow-wire test

Specification	IEC 60695-2-11:2014-02
Temperature	850 °C
Time of exposure	30 s

## Thermal stability / ball thrust test

Specification	IEC 60695-10-2:2014-02
---------------	------------------------

# ICS25-B122X98-V-7035 - Mounting base housing



2203885

<https://www.phoenixcontact.com/us/products/2203885>

Temperature	125 °C
Test duration	1 h
Force	20 N

## Mechanical strength / tumbling barrel

Specification	IEC 60068-2-31:2008-05
Height of fall	50 cm
Frequency	50

## Shocks

Specification	IEC 60068-2-27:2008-02
Pulse shape	Semi-sinusoidal
Acceleration	15g
Shock duration	11 ms
Number of shocks per direction	3
Test directions	X-, Y- and Z-axis (pos. and neg.)

## Test for substances that would hinder coating with paint or varnish

Specification	VW PV 3.10.7:2005-02
---------------	----------------------

## Degree of protection (IP code)

Specification	IEC 60529:1989-11 + AMD 1:1999-11 + AMD 2:2013-08
---------------	---

## Ambient conditions

Max. IP code to attain	IP20
Ambient temperature (operation)	-40 °C ... 105 °C (depending on power dissipation)
Ambient temperature (storage/transport)	-40 °C ... 55 °C
Ambient temperature (assembly)	-5 °C ... 100 °C
Relative humidity (storage/transport)	80 %

## PCB data

Number of PCB holders	2
Type of PCB mount	Latching
Thickness of the PCB	1.4 mm ... 1.8 mm

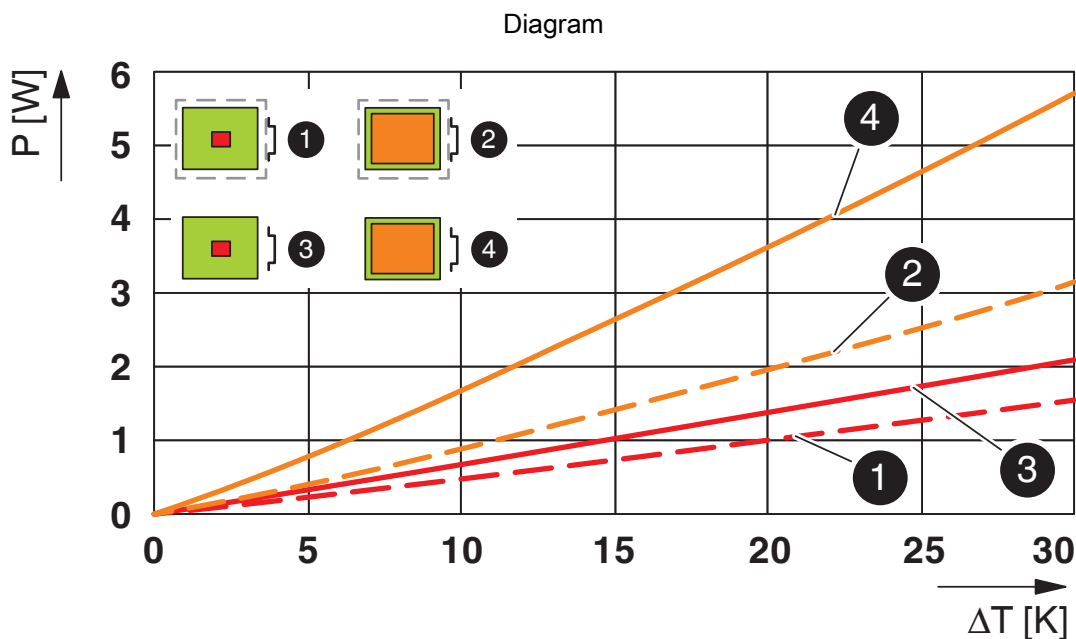
## Mounting

Mounting type	DIN rail mounting
Mounting position	Vertical (horizontal DIN rail)

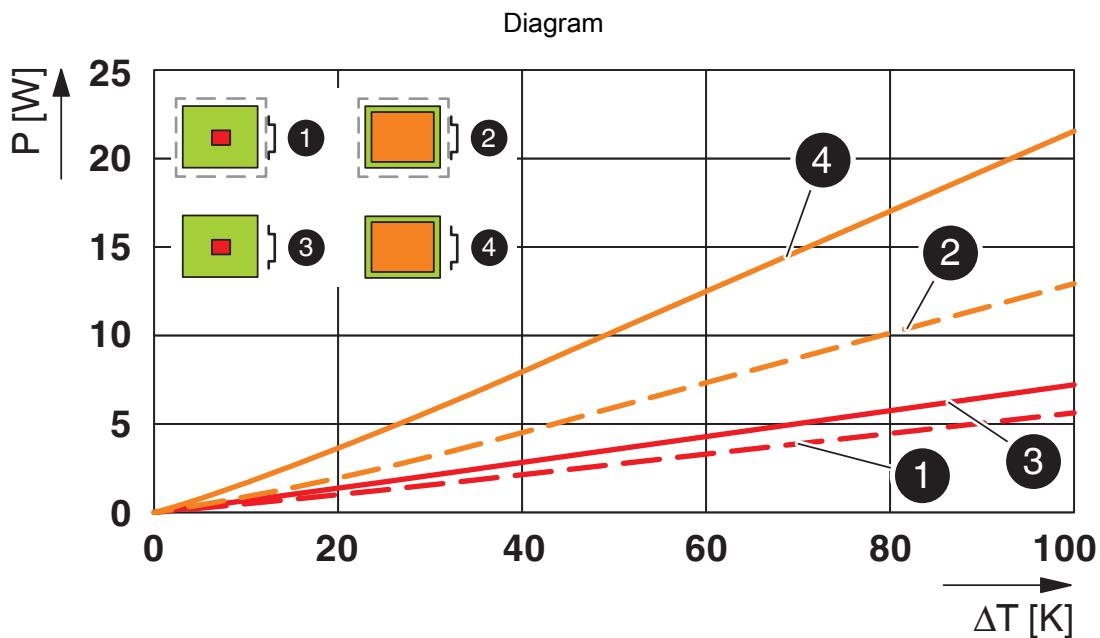
## Packaging specifications

Type of packaging	packed in cardboard
Outer packaging type	Carton

Drawings



Power dissipation diagram for 0 K ... 30 K



Power dissipation diagram for 0 K ... 100 K

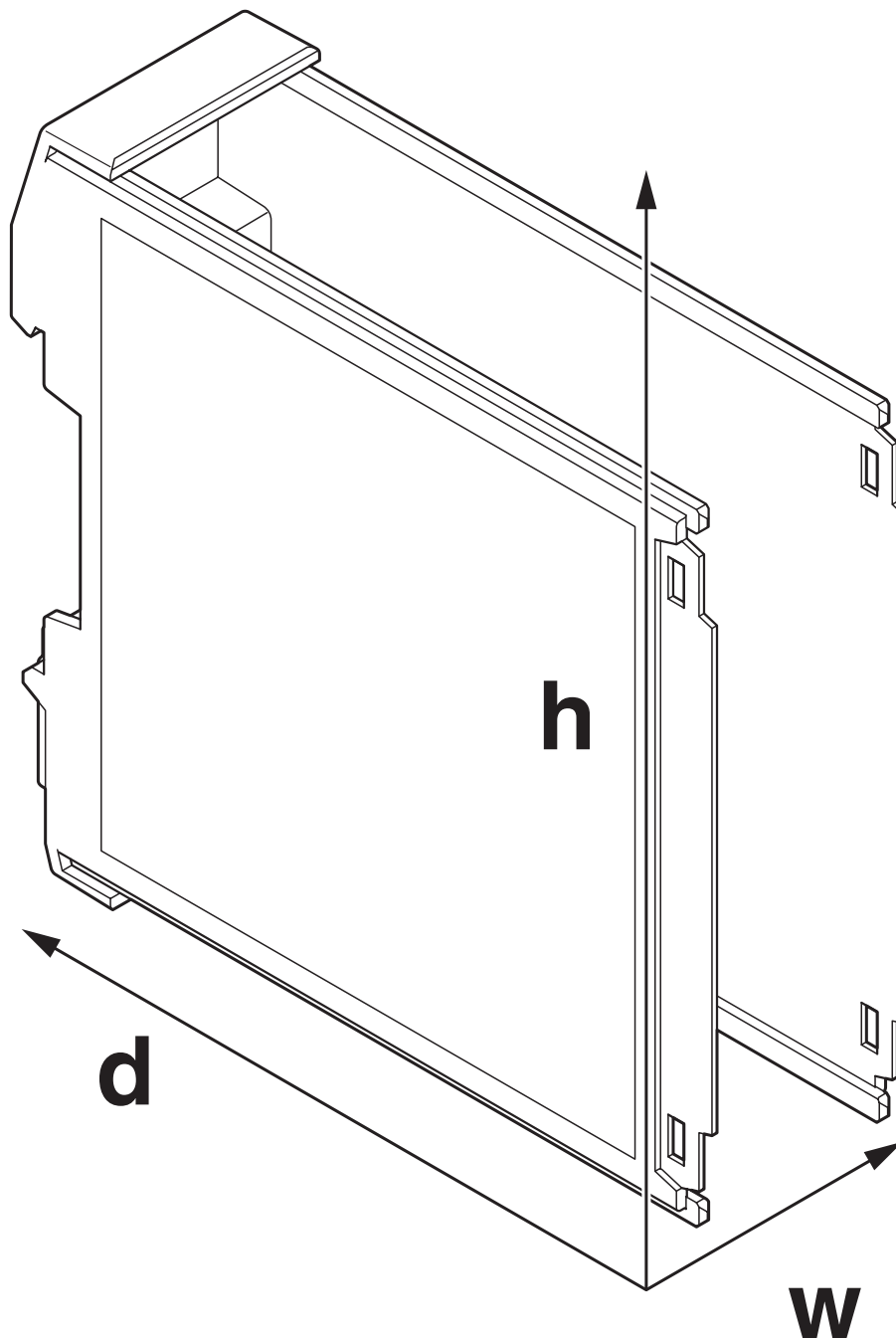
# ICS25-B122X98-V-7035 - Mounting base housing



2203885

<https://www.phoenixcontact.com/us/products/2203885>

Dimensional drawing



Schematic figure for illustrating the item dimensions. The figure is not of the desired product. For further details, refer to the product drawings in the "Downloads" tab.

# ICS25-B122X98-V-7035 - Mounting base housing



2203885

<https://www.phoenixcontact.com/us/products/2203885>

## Classifications

### ECLASS

ECLASS-11.0	27182702
ECLASS-13.0	27190601

### ETIM

ETIM 9.0	EC001031
----------	----------

### UNSPSC

UNSPSC 21.0	31261500
-------------	----------

# ICS25-B122X98-V-7035 - Mounting base housing



2203885

<https://www.phoenixcontact.com/us/products/2203885>

## Environmental product compliance

China RoHS	Environmentally friendly use period: unlimited = EFUP-e
	No hazardous substances above threshold values

# ICS25-B122X98-V-7035 - Mounting base housing

2203885

<https://www.phoenixcontact.com/us/products/2203885>



## Mandatory accessories

### ICS25-C122X12-7035 - Upper part of housing

2203886

<https://www.phoenixcontact.com/us/products/2203886>

DIN rail housing, Upper part, closed,  
width: 25 mm, height: 122.5 mm,  
depth: 14.35 mm, color: light grey  
(7035)

---

### ICS25-TL122X12-7035 - Upper part of housing

2203887

<https://www.phoenixcontact.com/us/products/2203887>

DIN rail housing, Upper part, with  
transparent hinged cover, width: 25  
mm, height: 123.5 mm, depth: 14.35  
mm, color: light grey (7035)

---

### ICS25-C122X12-DKP-7035 - Upper housing part with display

1215685

<https://www.phoenixcontact.com/us/products/1215685>

DIN rail housing, Upper part,  
integrated 0.96" display, resolution: 80  
x 160 Pixel(s), interface: 4-wire SPI  
half duplex, width: 25 mm, height: 122  
mm, color: light grey (7035)

---

## Accessories

# ICS25-B122X98-V-7035 - Mounting base housing



2203885

<https://www.phoenixcontact.com/us/products/2203885>

## ICS-FE-CONTACT - Functional ground contact

2203904

<https://www.phoenixcontact.com/us/products/2203904>

Functional ground contact, for ICS series electronics housings

---

## ICC25-H/4L5,0-7035 - PCB header

2203902

<https://www.phoenixcontact.com/us/products/2203902>

PCB headers, nominal cross section: 2.5 mm<sup>2</sup>, color: light grey, nominal current: 16 A, rated voltage (III/2): 320 V, contact connection type: Pin, number of potentials: 4, number of rows: 1, number of positions: 4, number of connections: 4, product range: ICC..-H/..L5,0, pitch: 5 mm, mounting: Wave soldering, pin layout: Linear pinning, solder pin [P]: 3.5 mm, number of solder pins per potential: 1, Pin connector pattern alignment: Standard, locking: Snap-in locking, mounting: without, type of packaging: Box packaging, Product with pin output on left side

---

# ICS25-B122X98-V-7035 - Mounting base housing



2203885

<https://www.phoenixcontact.com/us/products/2203885>

## ICC25-H/4R5,0-7035 - PCB header

2203903

<https://www.phoenixcontact.com/us/products/2203903>

PCB headers, nominal cross section: 2.5 mm<sup>2</sup>, color: light grey, nominal current: 16 A, rated voltage (III/2): 320 V, contact connection type: Pin, number of potentials: 4, number of rows: 1, number of positions: 4, number of connections: 4, product range: ICC..-H/..R5,0, pitch: 5 mm, mounting: Wave soldering, pin layout: Linear pinning, solder pin [P]: 3.5 mm, number of solder pins per potential: 1, Pin connector pattern alignment: Standard, locking: Snap-in locking, mounting: without, type of packaging: Box packaging, Product with pin output on right side

---

## ICC25-H/5L3,5-7035 - PCB header

1084018

<https://www.phoenixcontact.com/us/products/1084018>

PCB headers, color: light grey, nominal current: 8 A, rated voltage (III/2): 150 V, contact surface: Tin, contact connection type: Pin, number of potentials: 5, number of rows: 1, number of positions: 5, number of connections: 5, product range: ICC..-H/..L3,5, pitch: 3.5 mm, mounting: Wave soldering, pin layout: Linear pinning, solder pin [P]: 2.8 mm, number of solder pins per potential: 1, Pin connector pattern alignment: Standard, locking: Snap-in locking, mounting: without, type of packaging: Box packaging, Product with pin output on left side

# ICS25-B122X98-V-7035 - Mounting base housing



2203885

<https://www.phoenixcontact.com/us/products/2203885>

## ICC25-H/5R3,5-7035 - PCB header

1084017

<https://www.phoenixcontact.com/us/products/1084017>

PCB headers, color: light grey, nominal current: 8 A, rated voltage (III/2): 150 V, contact surface: Tin, contact connection type: Pin, number of potentials: 5, number of rows: 1, number of positions: 5, number of connections: 5, product range: ICC..-H/..R3,5, pitch: 3.5 mm, mounting: Wave soldering, pin layout: Linear pinning, solder pin [P]: 2.8 mm, number of solder pins per potential: 1, Pin connector pattern alignment: Standard, locking: Snap-in locking, mounting: without, type of packaging: Box packaging, Product with pin output on right side

---

## ICE25-F22H-A1 - Heatsink

1328704

<https://www.phoenixcontact.com/us/products/1328704>

Heatsink for housing series: ICS, type: Heatsink fillers, material: Aluminum, anodized, product range: ICS25, width: 22.4 mm, height: 25 mm, Individual milling possible.

# ICS25-B122X98-V-7035 - Mounting base housing

2203885

<https://www.phoenixcontact.com/us/products/2203885>



## ICE25-F45H-A1 - Heatsink

1328703

<https://www.phoenixcontact.com/us/products/1328703>

Heatsink for housing series: ICS, type:  
Heatsink fillers, material: Aluminum,  
anodized, product range: ICS25,  
width: 44.9 mm, height: 25 mm,  
Individual milling possible.

---

## ICE25-R122X22-A1 - Heatsink

1328711

<https://www.phoenixcontact.com/us/products/1328711>

Heatsink for housing series: ICS,  
material: Aluminum, anodized,  
product range: ICS25, width: 22.4  
mm, height: 25 mm, Individual milling  
possible.

---

## ICE25-R122X45-A1 - Heatsink

1328708

<https://www.phoenixcontact.com/us/products/1328708>

Heatsink for housing series: ICS,  
material: Aluminum, anodized,  
product range: ICS25, width: 44.9  
mm, height: 25 mm, Individual milling  
possible.

---

# ICS25-B122X98-V-7035 - Mounting base housing

2203885

<https://www.phoenixcontact.com/us/products/2203885>



---

## ICS25-F22A6-7035 - Connection plate

1287369

<https://www.phoenixcontact.com/us/products/1287369>

DIN rail housing, ICS filler, with antenna function cutout, width: 25 mm, height: 7.25 mm, depth: 22.4 mm, color: light grey (7035)

---

## ICS25-F22A-7035 - Connection plate

2203894

<https://www.phoenixcontact.com/us/products/2203894>

DIN rail housing, ICS filler, with antenna function cutout, width: 25 mm, height: 7.25 mm, depth: 22.4 mm, color: light grey (7035)

---

## ICS25-F22J-7035 - Connection plate

2203895

<https://www.phoenixcontact.com/us/products/2203895>

DIN rail housing, ICS filler, with RJ45 function cutout, width: 25 mm, height: 7.25 mm, depth: 22.4 mm, color: light grey (7035)

# ICS25-B122X98-V-7035 - Mounting base housing

2203885

<https://www.phoenixcontact.com/us/products/2203885>



---

## ICS25-F22S-7035 - Connection plate

2203890

<https://www.phoenixcontact.com/us/products/2203890>

DIN rail housing, ICS filler, closed,  
width: 25 mm, height: 7.25 mm, depth:  
22.4 mm, color: light grey (7035)

---

## ICS25-F22U-7035 - Connection plate

1053046

<https://www.phoenixcontact.com/us/products/1053046>

DIN rail housing, ICS filler, with USB  
function cutout, width: 25 mm, height:  
7.25 mm, depth: 22.4 mm, color: light  
grey (7035)

---

## ICS25-F22V-7035 - Connection plate

1079495

<https://www.phoenixcontact.com/us/products/1079495>

DIN rail housing, ICS filler, with vents,  
width: 25 mm, height: 7.25 mm, depth:  
22.4 mm, color: light grey (7035)

# ICS25-B122X98-V-7035 - Mounting base housing



2203885

<https://www.phoenixcontact.com/us/products/2203885>

---

## ICS25-F45D15-7035 - Connection plate

2203896

<https://www.phoenixcontact.com/us/products/2203896>

DIN rail housing, ICS filler, with D-SUB 15 function cutout, width: 25 mm, height: 7.25 mm, depth: 44.9 mm, color: light grey (7035)

---

## ICS25-F45D9-7035 - Connection plate

1053054

<https://www.phoenixcontact.com/us/products/1053054>

DIN rail housing, ICS filler, with D-SUB 9 function cutout, width: 25 mm, height: 7.25 mm, depth: 44.9 mm, color: light grey (7035)

---

## ICS25-F45S-7035 - Connection plate

2203891

<https://www.phoenixcontact.com/us/products/2203891>

DIN rail housing, ICS filler, closed, width: 25 mm, height: 7.25 mm, depth: 44.9 mm, color: light grey (7035)

---

# ICS25-B122X98-V-7035 - Mounting base housing

2203885

<https://www.phoenixcontact.com/us/products/2203885>



---

## ICS25-F45V-7035 - Connection plate

1079492

<https://www.phoenixcontact.com/us/products/1079492>

DIN rail housing, ICS filler, with vents,  
width: 25 mm, height: 7.25 mm, depth:  
44.9 mm, color: light grey (7035)

---

## ICS25-F67S-7035 - Connection plate

1287434

<https://www.phoenixcontact.com/us/products/1287434>

DIN rail housing, ICS filler, closed,  
width: 25 mm, height: 7.25 mm, depth:  
67.3 mm, color: light grey (7035)

---

## ICS25-F67V-7035 - Connection plate

1287409

<https://www.phoenixcontact.com/us/products/1287409>

DIN rail housing, ICS filler, with vents,  
width: 25 mm, height: 7.25 mm, depth:  
67.3 mm, color: light grey (7035)

---

## ICS MOUNTING DEVICE - Assembly tool

1118354

<https://www.phoenixcontact.com/us/products/1118354>

Equipment for fast, serial-production  
attachment of printed circuit boards in  
ICS 20 and ICS 25 housings

# ICS25-B122X98-V-7035 - Mounting base housing



2203885

<https://www.phoenixcontact.com/us/products/2203885>

## TBUS8-25,0-PPPPPPP-7035 - DIN rail bus connectors

2202891

<https://www.phoenixcontact.com/us/products/2202891>

DIN rail connector, color: light grey, nominal current: 6 A (parallel contacts), rated voltage (III/2): 32 V, number of positions: 8, pitch: 2.54 mm, mounting: DIN rail mounting, locking: without, mounting: without, type of packaging: packed in cardboard, Item with gold-plated contacts, bus connectors for connecting with electronics housings, 8 parallel contacts

---

## TBUS8-25,0-PPPPPPS-7035 - DIN rail bus connectors

2202890

<https://www.phoenixcontact.com/us/products/2202890>

DIN rail connector, color: light grey, nominal current: 6 A, 4 A (parallel contacts) (Serial contacts), rated voltage (III/2): 32 V, number of positions: 8, pitch: 2.54 mm, mounting: DIN rail mounting, locking: without, mounting: without, type of packaging: packed in cardboard, Item with gold-plated contacts, bus connectors for connecting with electronics housings, 7 parallel contacts/1 serial contact

# ICS25-B122X98-V-7035 - Mounting base housing



2203885

<https://www.phoenixcontact.com/us/products/2203885>

## TBUS8-25,0-PPPPSS-7035 - DIN rail bus connectors

2202895

<https://www.phoenixcontact.com/us/products/2202895>

DIN rail connector, color: light grey, nominal current: 6 A, 4 A (parallel contacts) (Serial contacts), rated voltage (III/2): 32 V, number of positions: 8, pitch: 2.54 mm, mounting: DIN rail mounting, locking: without, mounting: without, type of packaging: packed in cardboard, Item with gold-plated contacts, bus connectors for connecting with electronics housings, 6 parallel contacts/2 serial contacts

---

## TBUS8-25,0-PPPPSSSS-7035 - DIN rail bus connectors

1156781

<https://www.phoenixcontact.com/us/products/1156781>

DIN rail connector, color: light grey, nominal current: 6 A, 4 A (parallel contacts) (Serial contacts), rated voltage (III/2): 32 V, number of positions: 8, pitch: 2.54 mm, mounting: DIN rail mounting, locking: without, mounting: without, type of packaging: packed in cardboard, Item with gold-plated contacts, bus connectors for connecting with electronics housings, 4 parallel contacts/4 serial contacts

# ICS25-B122X98-V-7035 - Mounting base housing

2203885

<https://www.phoenixcontact.com/us/products/2203885>



## TBUS8-25,0-PPPPPPPS-7035VPE100 - DIN rail bus connectors

1442879

<https://www.phoenixcontact.com/us/products/1442879>

DIN rail connector, color: light grey, nominal current: 6 A, 4 A (parallel contacts) (Serial contacts), rated voltage (III/2): 32 V, number of positions: 8, pitch: 2.54 mm, mounting: DIN rail mounting, locking: without, mounting: without, type of packaging: packed in cardboard, Item with gold-plated contacts, bus connectors for connecting with electronics housings, 7 parallel contacts/1 serial contact

---

## KP ICS25X122 K4 C3 P5 - Membrane keypad

1215684

<https://www.phoenixcontact.com/us/products/1215684>

Membrane keypad for ICS25x122, self-adhesive, conductive silver technology, 4 keys, 2 colors, 5-position connection lug, pitch: 1.0 mm, transparent window for 0.96" TFT display

# ICS25-B122X98-V-7035 - Mounting base housing



2203885

<https://www.phoenixcontact.com/us/products/2203885>

## PSPT 2,5/ 4-ST KMGY - Printed-circuit board connector

2202344

<https://www.phoenixcontact.com/us/products/2202344>

PCB connector, nominal cross section: 2.5 mm<sup>2</sup>, color: light grey, nominal current: 16 A, rated voltage (III/2): 300 V, contact surface: Tin, contact connection type: Socket, number of potentials: 4, number of rows: 1, number of positions: 4, number of connections: 4, product range: PSPT 2,5/..-ST, pitch: 5 mm, connection method: Push-in spring connection, conductor/PCB connection direction: 0 °, locking clip: - Locking clip, locking: without, mounting: without, type of packaging: packed in cardboard, Color of the spring lever: orange

---

## MSTBT 2,5 HC/ 4-STP GY7035 - Printed-circuit board connector

2200332

<https://www.phoenixcontact.com/us/products/2200332>

PCB connector, nominal cross section: 2.5 mm<sup>2</sup>, color: light grey, nominal current: 16 A, rated voltage (III/2): 320 V, contact surface: Tin, contact connection type: Socket, number of rows: 1, number of positions: 4, product range: MSTBT 2,5 HC/..-STP, pitch: 5 mm, connection method: Screw connection with tension sleeve, conductor/PCB connection direction: 0 °, locking clip: - Locking clip, plug-in system: COMBICON MSTB 2,5 HC, locking: without, mounting: without

# ICS25-B122X98-V-7035 - Mounting base housing



2203885

<https://www.phoenixcontact.com/us/products/2203885>

Phoenix Contact 2024 © - all rights reserved

<https://www.phoenixcontact.com>

Phoenix Contact USA  
586 Fulling Mill Road  
Middletown, PA 17057, United States  
(+717) 944-1300  
[info@phoenixcon.com](mailto:info@phoenixcon.com)