

Active module - UM-32 OM- 24DC/48DC/I/M/PLC - 2394979

Please be informed that the data shown in this PDF Document is generated from our Online Catalog. Please find the complete data in the user's documentation. Our General Terms of Use for Downloads are valid (<http://phoenixcontact.com/download>)



Module with 32 electrically isolated optocouplers, input 24 V DC (for input cards of the Delta V control system)

RoHS

Key Commercial Data

Packing unit	1 pc
GTIN	 4 017918 995812
GTIN	4017918995812
Weight per Piece (excluding packing)	540.900 g
Custom tariff number	85364190
Country of origin	Germany

Technical data

Dimensions

Width	240 mm
Height	125.5 mm
Depth	66 mm

Ambient conditions

Ambient temperature (operation)	-20 °C ... 50 °C
Ambient temperature (storage/transport)	-20 °C ... 70 °C

Input data

Nominal input voltage U_N	24 V DC
Input voltage range in reference to U_N	0.8 ... 1.1
Typical input current at U_N	7.6 mA

Active module - UM-32 OM- 24DC/48DC/I/M/PLC - 2394979

Technical data

Input data

Switching level 0 signal ("L")	≤ 12 V DC
Switching level 1 signal ("H")	≥ 19.2 V DC
Transmission frequency	100 Hz

Output data

Nominal supply voltage	24 V DC
Supply voltage range	10 V DC ... 48 V DC
Continuous load current	10 mA
Status display	Yellow LED

General

No. of channels	32
Mounting position	any
Assembly instructions	In rows with zero spacing
Housing insulation material	PVC, side panel PA non-reinforced,
Color	green

Connection data

Connection name	Field level
Connection method	Screw connection
Stripping length	8 mm
Screw thread	M3
Number of connections	66
Number of positions	6
Conductor cross section solid	0.2 mm ² ... 4 mm ²
Conductor cross section flexible	0.2 mm ² ... 2.5 mm ²
Conductor cross section AWG	24 ... 12

Connection data 2

Connection name	Controller level
Connection method	IDC/FLK pin strip
Number of connections	1
Number of positions	50
Pitch	2.54 mm

Supported controller

Controller	Emerson DeltaV
- suitable I/O card	VE4001S2T2B5

Standards and Regulations

Standards/regulations	DIN EN 50178
-----------------------	--------------

Active module - UM-32 OM- 24DC/48DC/I/M/PLC - 2394979

Technical data

Standards and Regulations

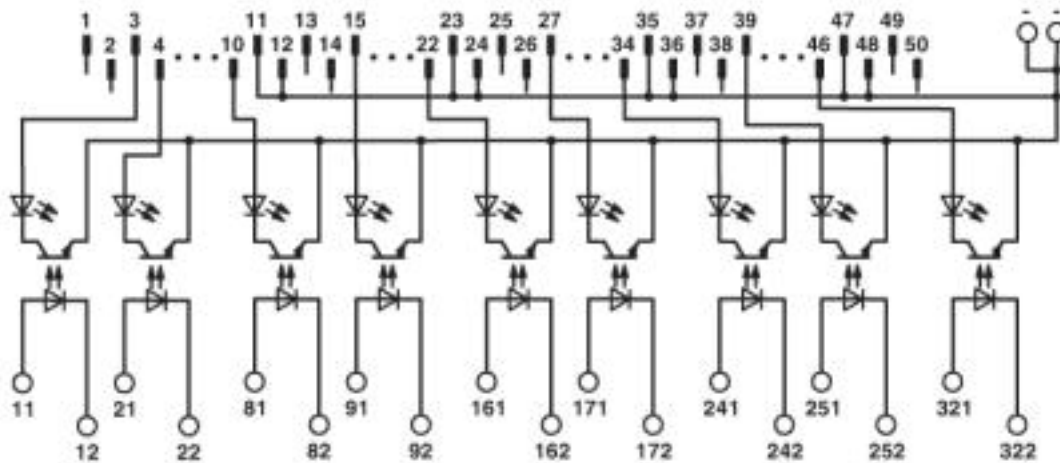
Rated surge voltage	4 kV (basic insulation)
Pollution degree	2
Overvoltage category	III

Environmental Product Compliance

REACH SVHC	Lead 7439-92-1
China RoHS	Environmentally Friendly Use Period = 50
	For details about hazardous substances go to tab "Downloads", Category "Manufacturer's declaration"

Drawings

Connection diagram



Classifications

eCl@ss

eCl@ss 4.0	27371100
eCl@ss 4.1	27371100
eCl@ss 5.0	27371000
eCl@ss 5.1	27371000
eCl@ss 6.0	27371000
eCl@ss 7.0	27141152
eCl@ss 8.0	27141152
eCl@ss 9.0	27141152

Active module - UM-32 OM- 24DC/48DC/I/M/PLC - 2394979

Classifications

ETIM

ETIM 5.0	EC002780
ETIM 6.0	EC002780
ETIM 7.0	EC002780

UNSPSC

UNSPSC 6.01	30211916
UNSPSC 7.0901	39121515
UNSPSC 11	39121515
UNSPSC 12.01	39121515
UNSPSC 13.2	39121432

Approvals


Approvals

Approvals

EAC

Ex Approvals

Approval details

EAC		RU C- DE.A*30.B.01742
-----	---	--------------------------
