



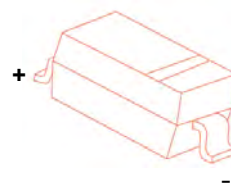
# 1N4148WS

FAST SWITCHING DIODE

## FEATURES

- Fast Switching Speed
- Surface Mount Package Ideally Suited for Automatic Insertion
- For General Purpose Switching Applications
- High Conductance

SOD-323



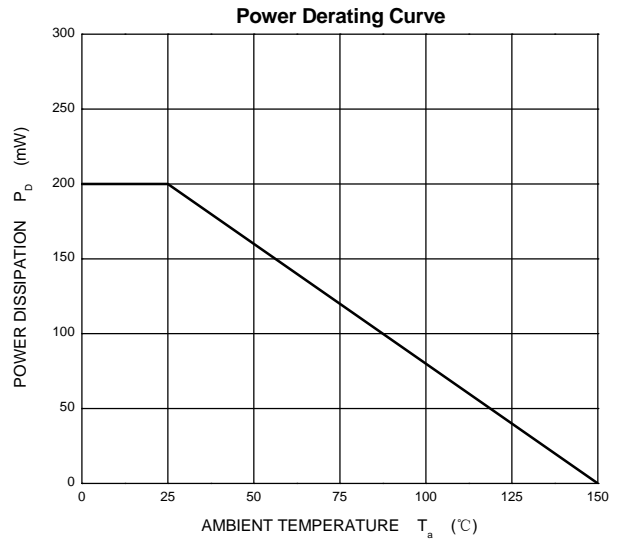
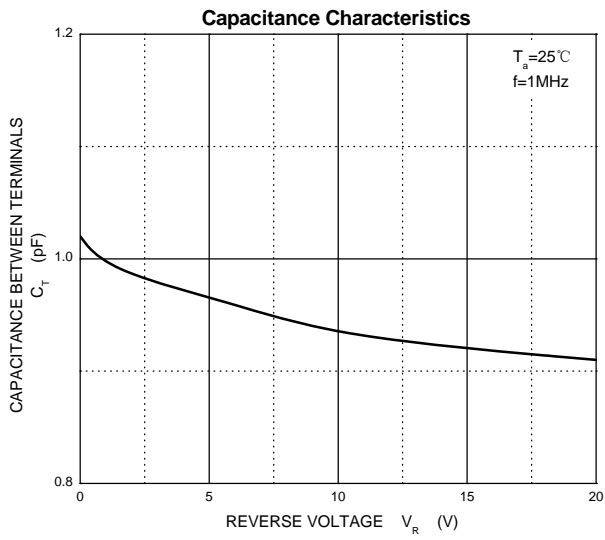
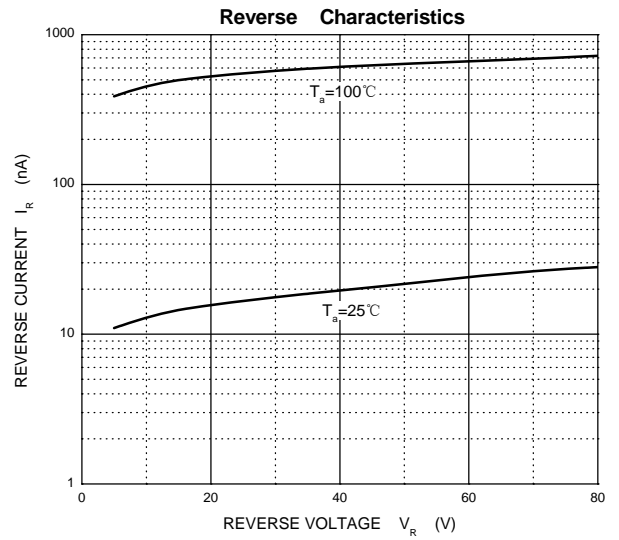
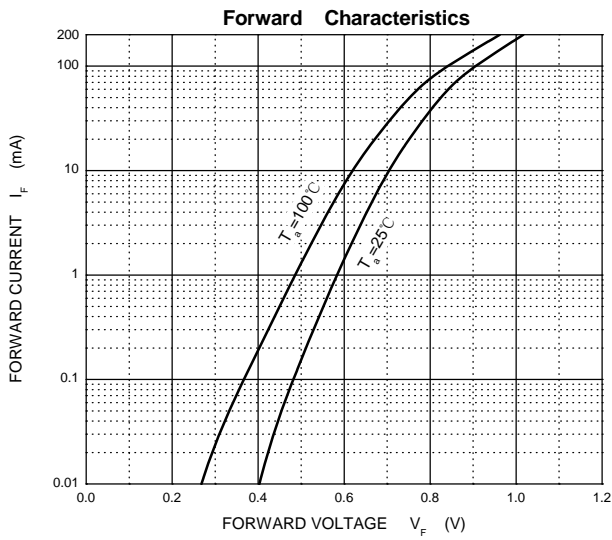
MARKING:T4

Maximum Ratings and Electrical Characteristics, Single Diode @T<sub>A</sub>=25°C

Parameter	Symbol	Limits	Unit
Non-Repetitive Peak reverse voltage	V <sub>RM</sub>	100	V
Peak Repetitive Peak reverse voltage	V <sub>RRM</sub>	100	V
Working Peak Reverse Voltage	V <sub>RWM</sub>		
DC Blocking Voltage	V <sub>R</sub>		
RMS Reverse Voltage	V <sub>R(RMS)</sub>	71	V
Forward Continuous Current	I <sub>FM</sub>	300	mA
Average Rectified Output Current	I <sub>O</sub>	150	mA
Peak forward surge current @=1.0μs	I <sub>FSM</sub>	2.0	A
@=1.0s		1.0	
Power Dissipation	P <sub>d</sub>	200	mW
Thermal Resistance Junction to Ambient	R <sub>θJA</sub>	625	°C/W
Junction temperature	T <sub>j</sub>	125	°C
Storage temperature	T <sub>STG</sub>	-65~+150	°C

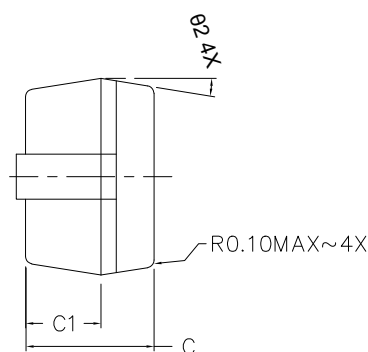
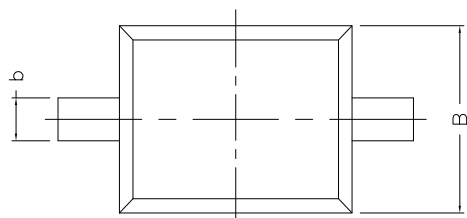
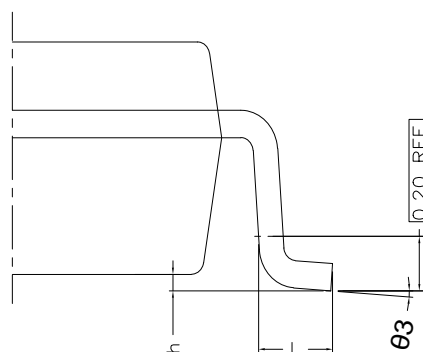
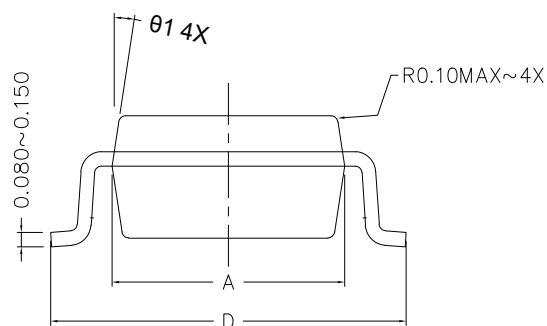
Electrical Ratings @T<sub>A</sub>=25°C

Parameter	Symbol	Min.	Typ.	Max.	Unit	Conditions
Forward voltage	V <sub>F1</sub>			0.715	V	I <sub>F</sub> =1mA
	V <sub>F2</sub>			0.855	V	I <sub>F</sub> =10mA
	V <sub>F3</sub>			1.0	V	I <sub>F</sub> =50mA
	V <sub>F4</sub>			1.25	V	I <sub>F</sub> =150mA
Reverse current	I <sub>R1</sub>			1	μA	V <sub>R</sub> =75V
	I <sub>R2</sub>			25	nA	V <sub>R</sub> =20V
Capacitance between terminals	C <sub>T</sub>			2	pF	V <sub>R</sub> =0V,f=1MHz
Reverse Recovery Time	t <sub>rr</sub>			4	ns	I <sub>F</sub> =I <sub>R</sub> =10mA I <sub>rr</sub> =0.1X I <sub>R</sub> ,R <sub>L</sub> =100Ω





## SOD-323 Package Outline Dimensions (Units: mm)



COMMON DIMENSIONS (UNITS OF MEASURE IS mm)			
	MIN	NORMAL	MAX
A	1.600	1.700	1.800
B	1.200	1.300	1.400
C	0.750	0.850	0.950
C1	0.450	0.500	0.550
D	2.450	2.600	2.750
L	0.200	0.300	0.400
b	0.200	0.300	0.400
h	0.010	0.050	0.100
<b>theta 1</b>	9° TYPE		
<b>theta 2</b>	9° TYPE		
<b>theta 3</b>	0° ~ 8°		