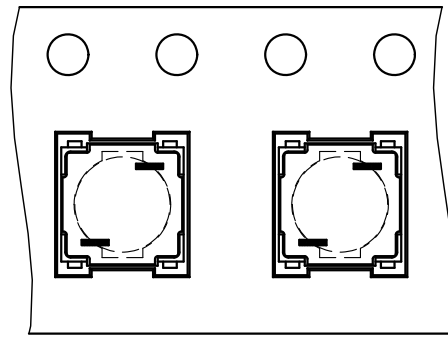
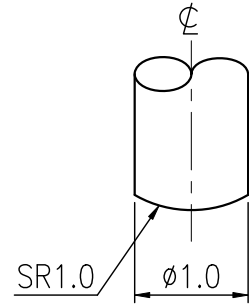


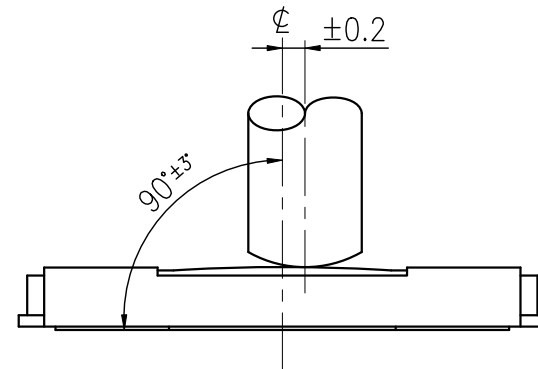
RoHS Compliant



CARRIER TAPE



SHAPE OF KEYING TIP

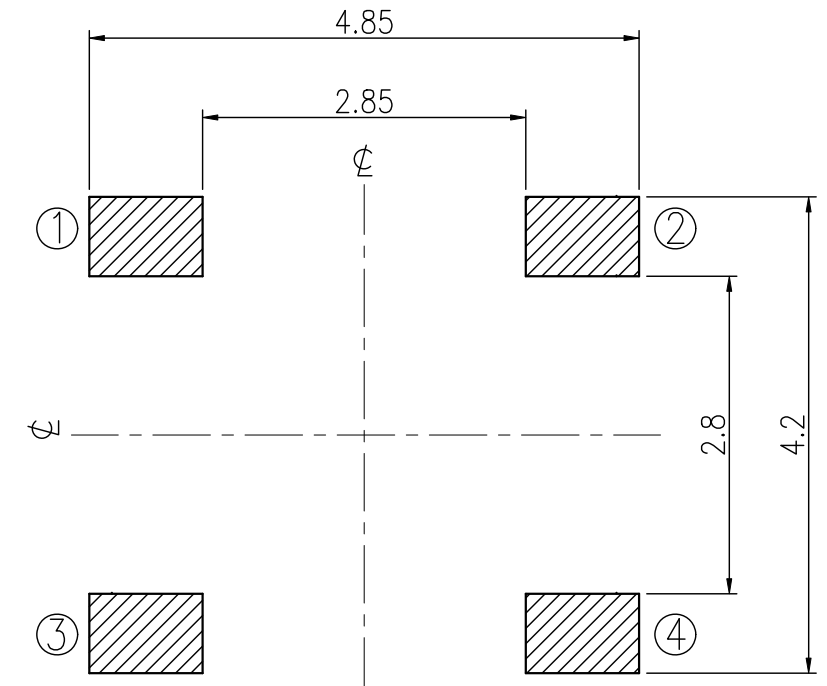
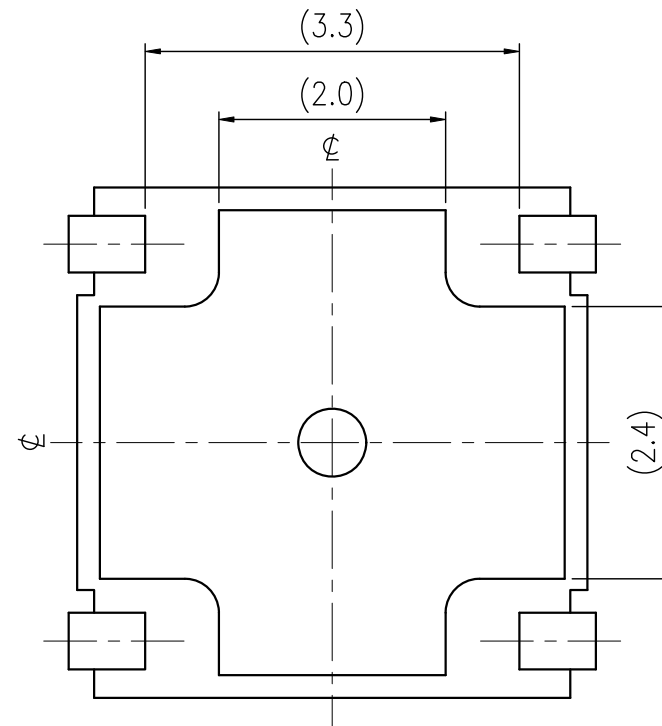
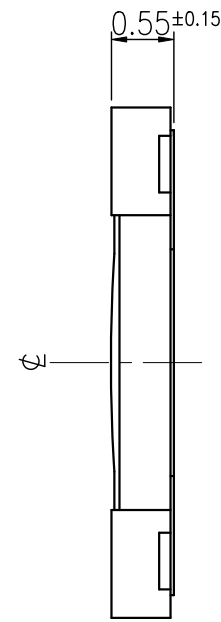
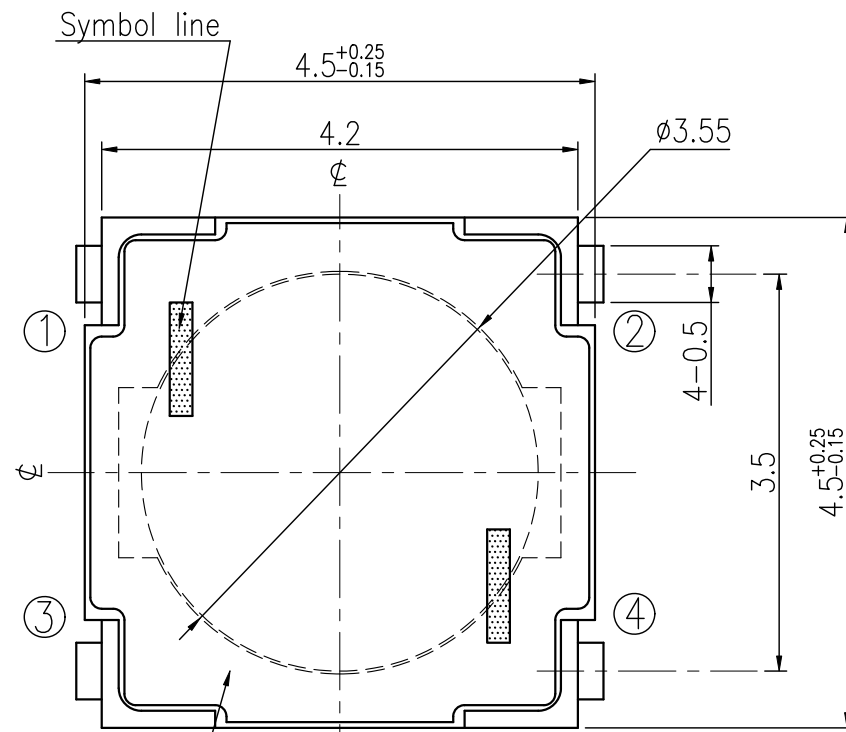


RESTRICTION IN OPERATION

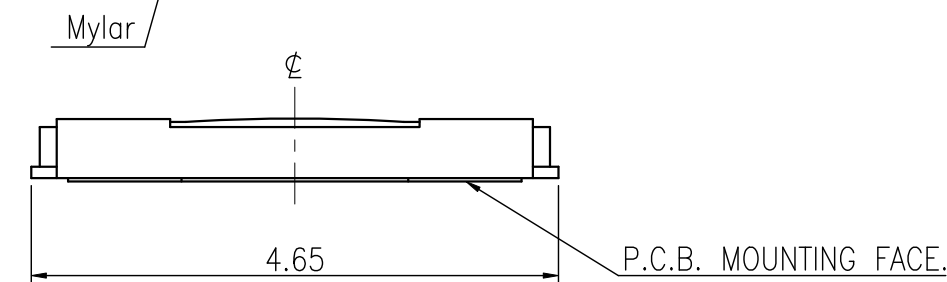


REVISIONS							
Rev	DESCRIPTION	DATE	DRAWER	Rev	DESCRIPTION	DATE	DRAWER
A	Initial Drawing	2013.07.03	Ken Lin	c			
B				d			

SPECIFICATIONS			
RATING	DC12V 50mA	TIMING	
CONTACT RESISTANCE	100mΩ MAX.	OPERATION (TORQUE)	100±30 gf
INSULATION RESISTANCE	DC500V-100MΩ MIN.	STROKE (ANGLE)	0.2 ^{+0.15} mm
WITHSTAND VOLTAGE	AC250V-1 MINUTE	CONTACT RESISTANCE	2Ω MAX.
REMARKS:		(AFTER 1,000,000 CYCLES LIFE TEST)	



REFERENCE LAND FORM



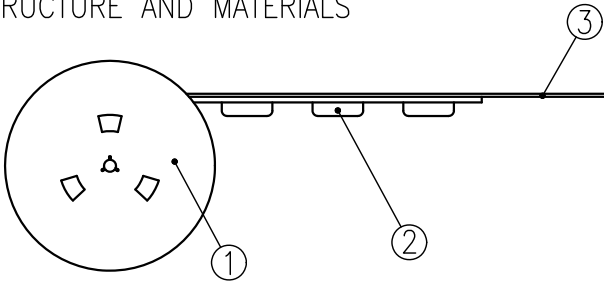
TOLERANCES UNLESS OTHERWISE SPECIFIED ±0.1		SIGNATURES		DATE	MODEL
☉	UNIT	mm	SCALE	15/1	TITLE TACT SWITCH
	NO.	ETC033-XK1K-X100T			
☉	APPROVALS	Dennis Hung	2013.07.03		

TAIWAN MISAKI ELECTRONICS CO., LTD.

THE PACKING SPECIFICATIONS

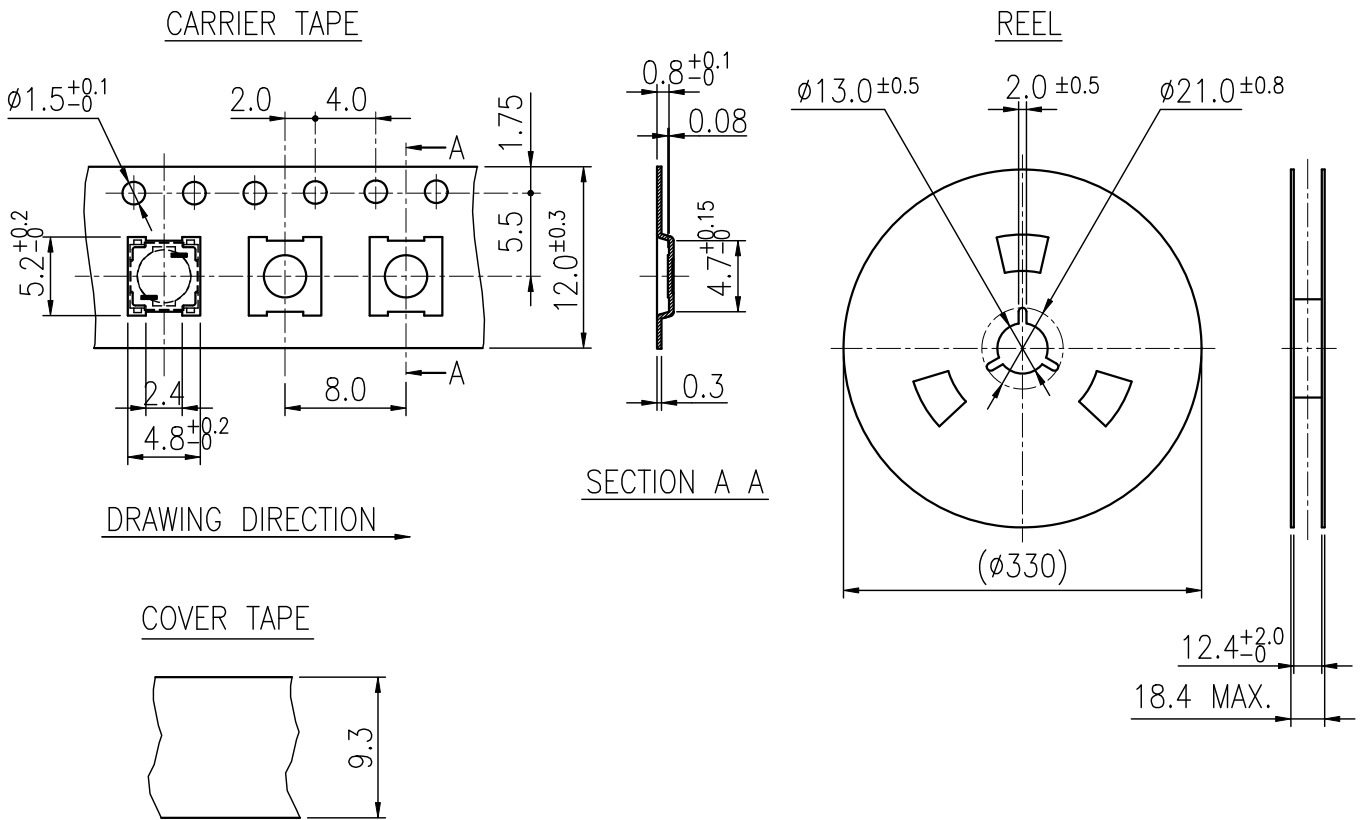
RoHS Compliant

1. STRUCTURE AND MATERIALS



③	COVER TAPE	POLYESTER
②	CARRIER TAPE	POLYSTYRENE
①	REEL	POLYSTYRENE
NO.	PARTS NAME	MATERIALS

- PACKAGING QUANTITY : 7,000 PCS/REEL
- MORE THAN 10 EMPTY POCKETS SHOULD BE REMAINED AT BOTH ENDS OF THE CARRIER TAPE FOR EACH REEL.
- SHORTAGE LESS THAN 10 PCS A REEL IS ACCECTABLE BUT MORE THAN 3 RUNNING POCKETS SHORTAGE IS NOT ALLOWED.
- STRIPPING STRENGTH OF COVER TAPE IS BETWEEN 10 gf TO 70 gf AND STRIPPING ANGLE SHOULD BE WITHIN 165° ~ 180° .
- THE PRODUCT IN THE POCKET OF CARRIER TAPE SHOULD BE PLACED IN A SPECIFIED CORRECT POSITION.
- TAPE AND REEL PER EIA-481.
- DIMENSIONS :



			APPROVED BY	REVIEWED BY	CHECKED BY	DESIGNED BY	MODEL NO.
			Dennis Hung			Ken Lin	NTC033-XK1K-X100T
			2013.01.23			2013.01.23	PAGINATE. 1/1
SYM	DISCRPTION	DATE	APPROVED				SPEC NO. P-656