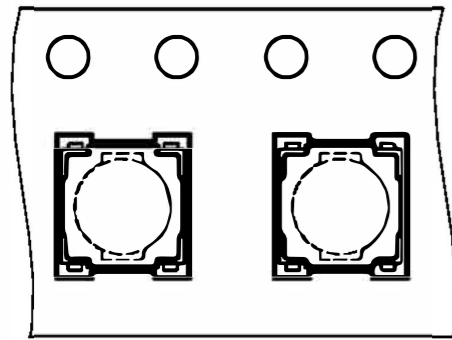
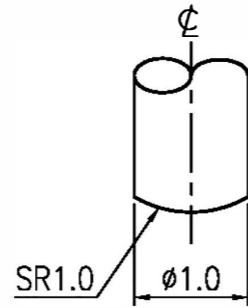


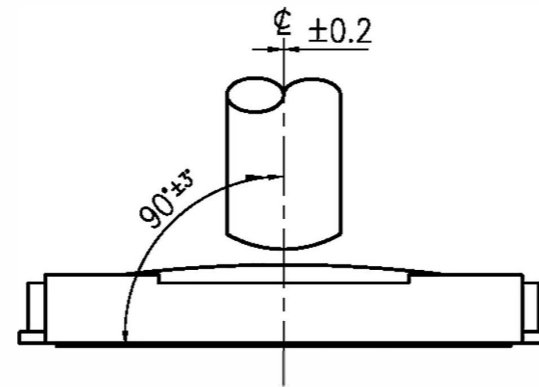
RoHS Compliant



CARRIER TAPE



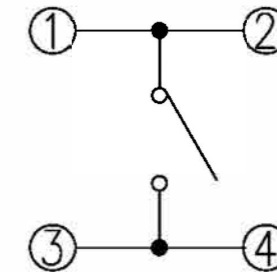
SHAPE OF KEYING TIP



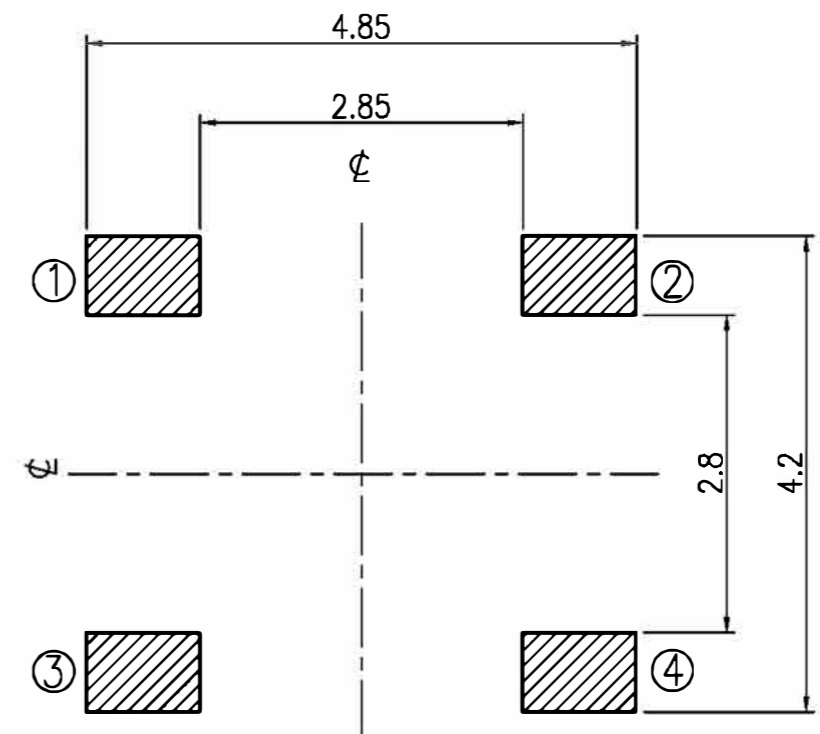
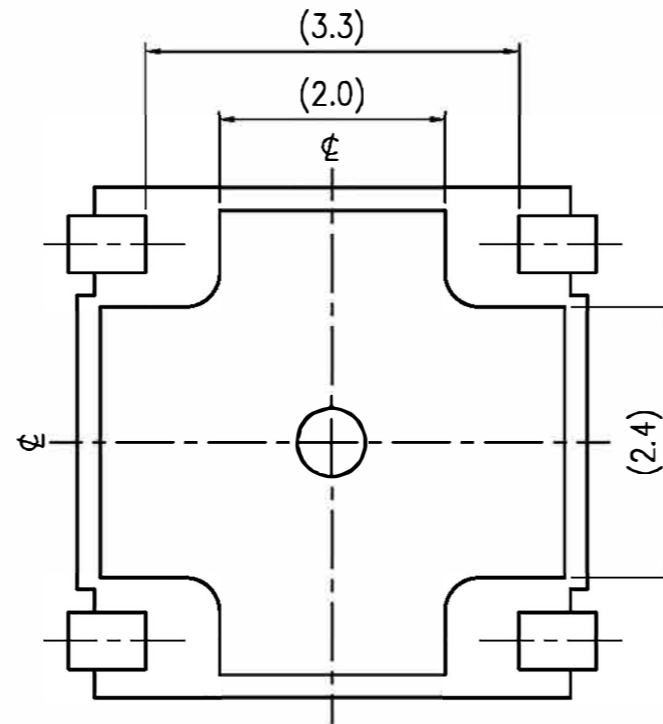
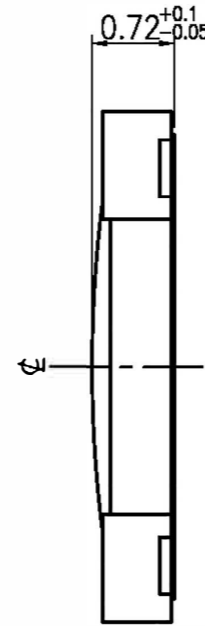
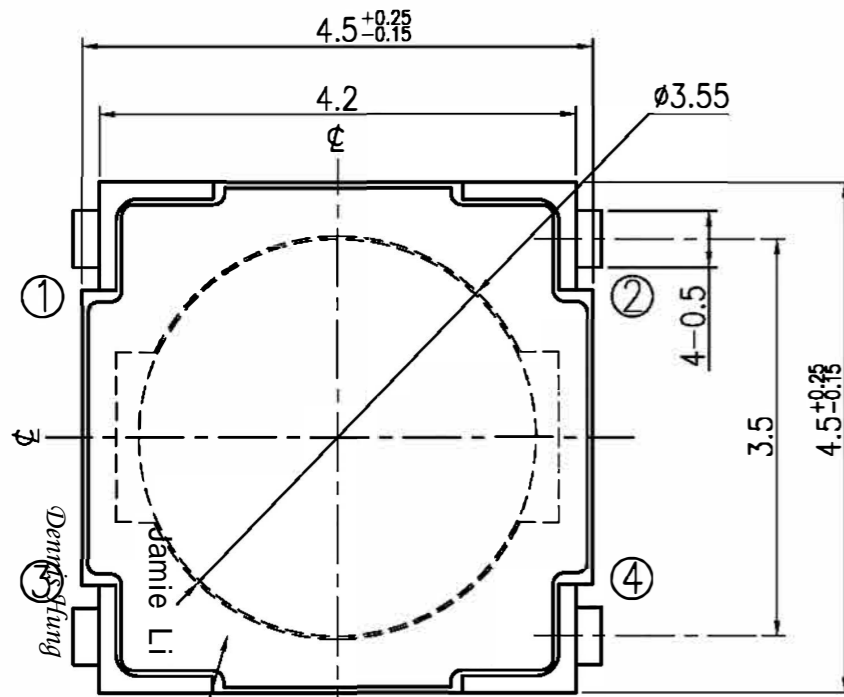
RESTRICTION IN OPERATION

REVISIONS							
Rev	DESCRIPTION	DATE	DRAWER	Rev	DESCRIPTION	DATE	DRAWER
A	Initial Drawing	2013.08.22	Ken Lin	c			
B	Change Drawing (Cancel Symbol line)	2015.04.15	Jane Shen	D			

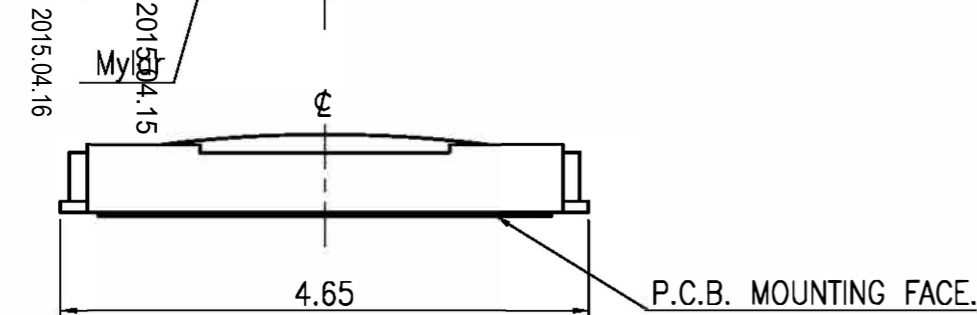
SPECIFICATIONS			
RATING	DC12V 50mA	TIMING	
CONTACT RESISTANCE	100mΩ MAX.	OPERATION (TORQUE)	600 <sup>+100</sup> gf
INSULATION RESISTANCE	DC500V-100MΩ MIN.	STROKE (ANGLE)	0.2 <sup>+0.15</sup> mm
WITHSTAND VOLTAGE	AC250V-1 MINUTE	CONTACT RESISTANCE	2Ω MAX.
REMARKS:		(AFTER 150,000 CYCLES LIFE TEST)	



SCHEMATIC



REFERENCE LAND FORM



P.C.B. MOUNTING FACE.

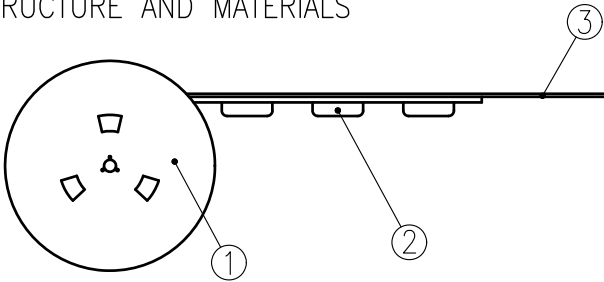
TOLERANCES UNLESS OTHERWISE SPECIFIED ±0.1		SIGNATURES		DATE	MODEL
	UNIT	mm	SCALE	15/1	TITLE TACT SWITCH NO. ETC033-XY1K-X600T
	REVIEWED	APPROVALS			
		DRAWER	Jane Shen	2015.04.15	
		CHECKED			

TAIWAN MISAKI ELECTRONICS CO., LTD.

# THE PACKING SPECIFICATIONS

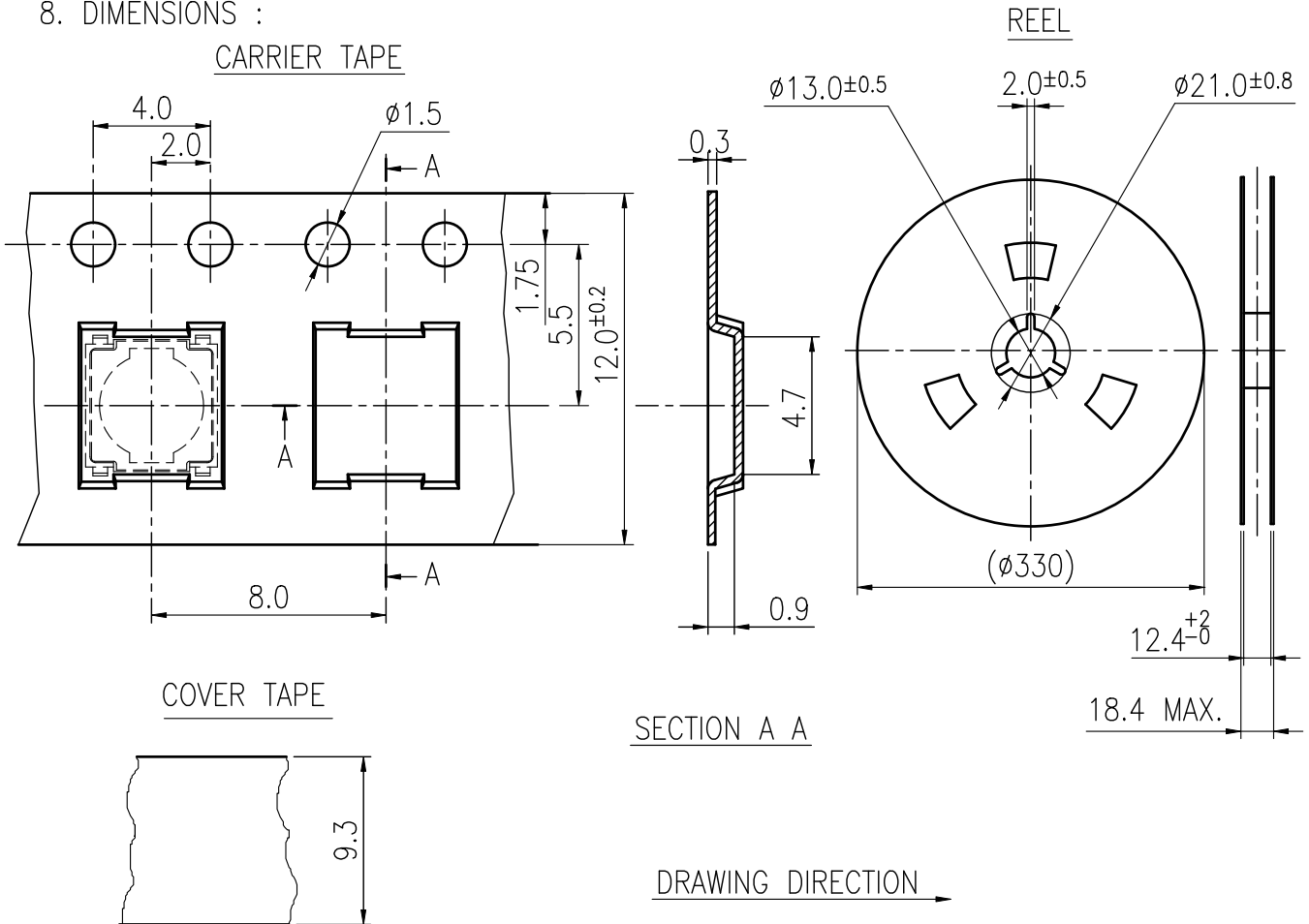
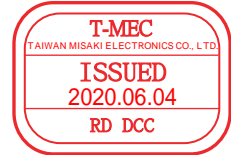
RoHS Compliant

## 1. STRUCTURE AND MATERIALS



③	COVER TAPE	POLYESTER
②	CARRIER TAPE	POLYSTYRENE
①	REEL	POLYSTYRENE
NO.	PARTS NAME	MATERIALS

- PACKAGING QUANTITY : 7,000 PCS/REEL
- MORE THAN 10 EMPTY POCKETS SHOULD BE REMAINED AT BOTH ENDS OF THE CARRIER TAPE FOR EACH REEL.
- SHORTAGE LESS THAN 10 PCS A REEL IS ACCECTABLE BUT MORE THAN 3 RUNNING POCKETS SHORTAGE IS NOT ALLOWED.
- STRIPPING STRENGTH OF COVER TAPE IS BETWEEN 10 gf TO 130 gf AND STRIPPING ANGLE SHOULD BE WITHIN 165° ~ 180° .
- THE PRODUCT IN THE POCKET OF CARRIER TAPE SHOULD BE PLACED IN A SPECIFIED CORRECT POSITION.
- TAPE AND REEL PER EIA-481-C
- DIMENSIONS :



				APPROVED BY	REVIEWED BY	CHECKED BY	DESIGNED BY	MODEL NO.
							Jane Shen	NTC033-XY
								PAGINATE.
								1/1
								SPEC NO.
								P-715
SYM	DISCRPTION	DATE	APPROVED					