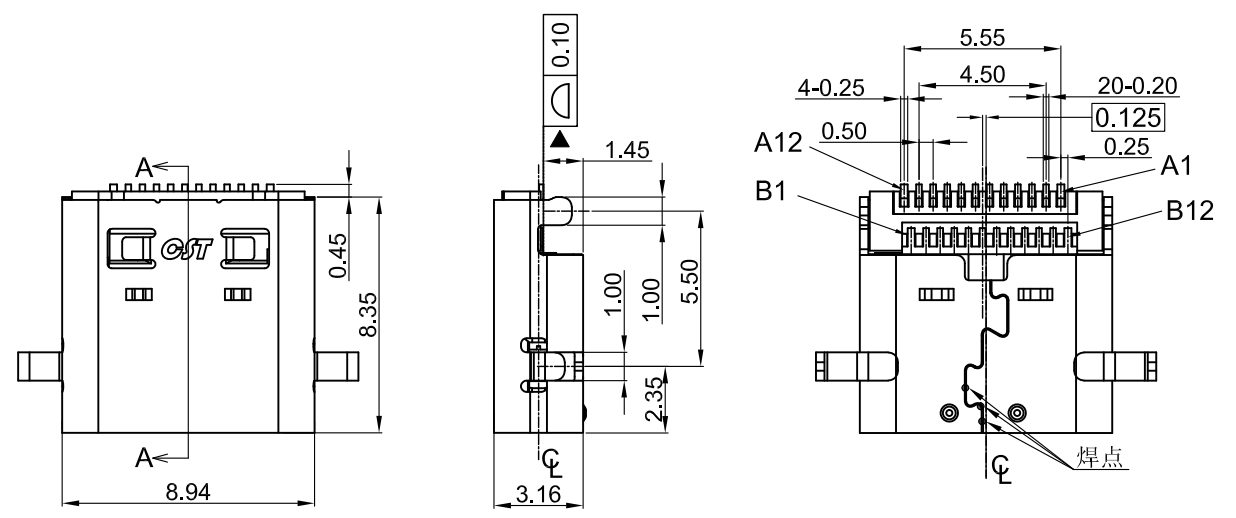


REV.	ECN NO.	DATE
A		2017.11.27

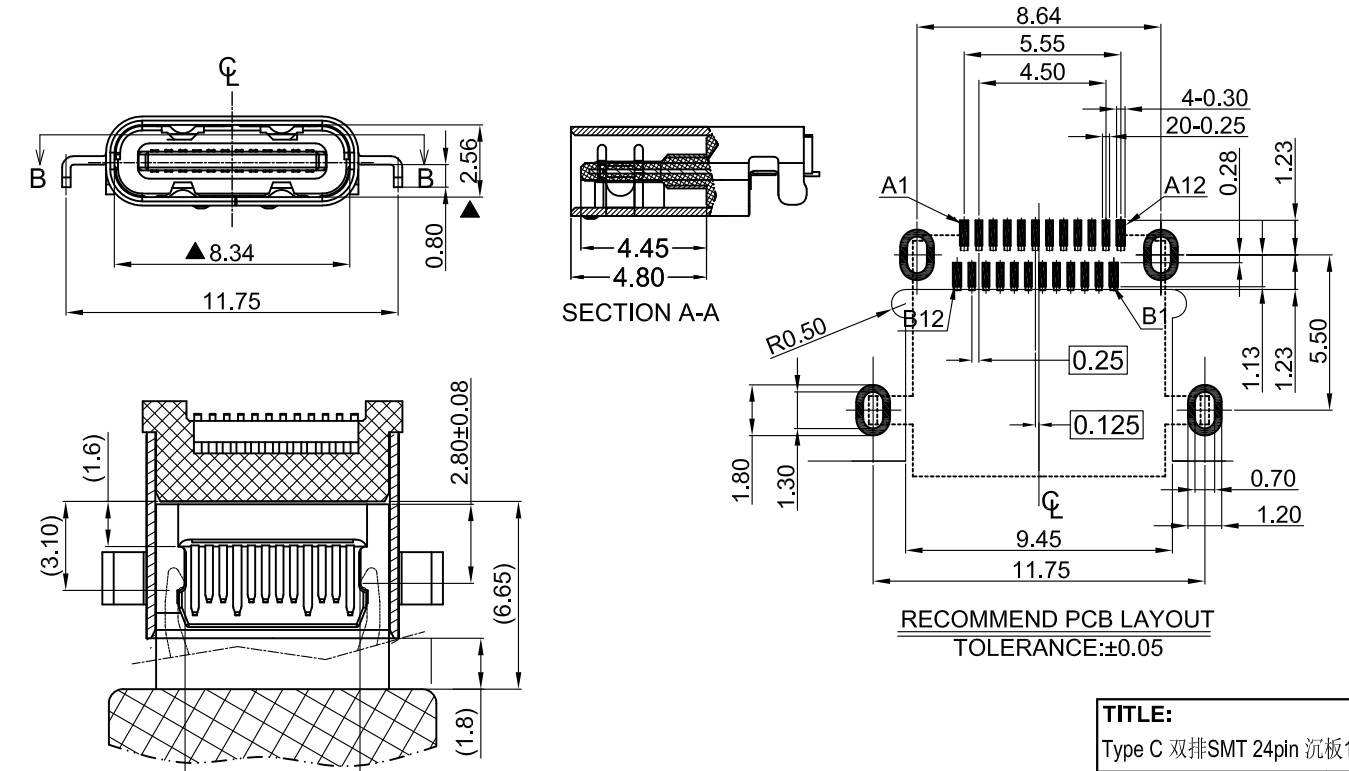


Notes/说明:

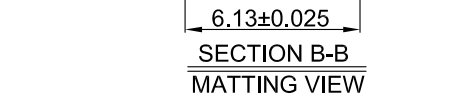
1. Electrical Characteristics/电性能:
 Contact Resistance/ 接触电阻: 40mOhms Max.
 Contact Current Rating/额定电流: 3A;
 Dielectric Withstanding Voltage/ 耐电压:500V.R.M.S
 Insulation Resistance/绝缘电阻: 100MegOhms

2. Mechanical Characteristics/机械性能:
 Mating Force: 5N-20N.
 插入力: 5N-20N
 Unmating Force: 8N-20N;
 拔出力: 8N-20N
 Durability: 10000 Cycles;
 耐久测试: 10000 次

3. ▲ CPK 尺寸



PIN	Signal Name	PIN	Signal Name
A1	GND	B12	GND
A2	SSTXp1	B11	SSRXp1
A3	SSTXn1	B10	SSRXn1
A4	Vbus	B9	VBUS
A5	CC1	B8	SBU2
A6	Dp1	B7	Dn2
A7	Dn1	B6	Dp2
A8	SBU1	B5	CC2
A9	VBUS	B4	VBUS
A10	SSRXn2	B3	SSTXn2
A11	SSRXp2	B2	SSTXp2
A12	GND	B1	GND



4	中钢片	1	SUS301	无电镀
3	外壳	1	SUS301	镍底30u"
2	塑胶	1	LCP,UL94 V-0	黑色
1	端子	1	C5210	镍底30u" 接触区域镀金0.8u",焊接区域G/F
项目	部品名称	数量	材质	电镀

TITLE: Type C 双排SMT 24pin 沉板1.5H平口

CST 深圳市科新成电子有限公司
Shenzhen Cosantra Electronics CO.,LTD

TOLERANCE	APPROVAL:	UNIT:	PART NO:
LINEAR: X. ±0.30 .X ±0.25 .XX ±0.20	ANGLE: X° ±2° .X° ±1° .XX° ±0.5°	Eric.Zhu mm	CSTU-2401-1150
CUSTOMER DRAWING	REV: A	CHECK: Eric.Zhu	SIZE: A4
	DRAWN: Howie.Li	SCALE: 1:1	DWG.NO: CSTU-2401-1150
		PRJ.:	SHEET: 1 / 1