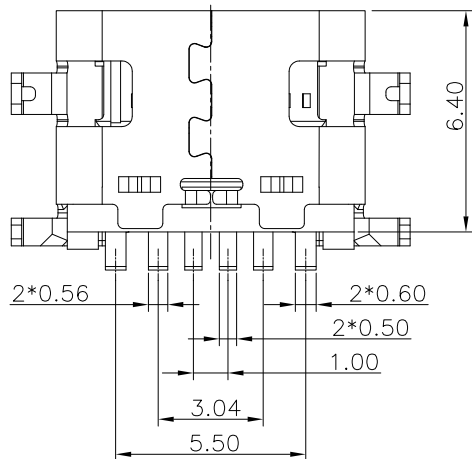
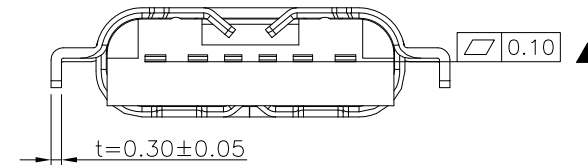
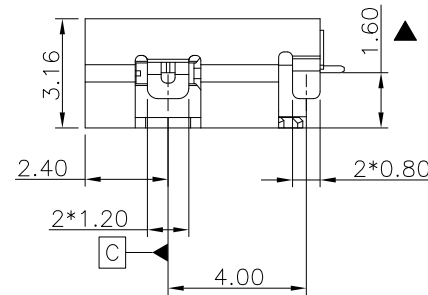
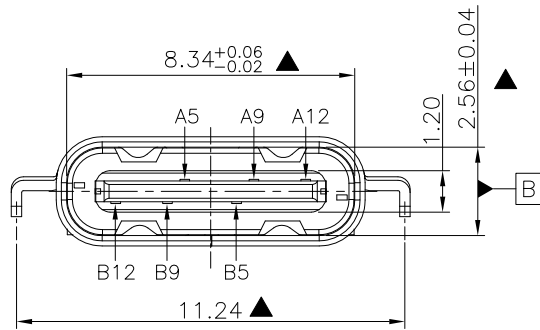
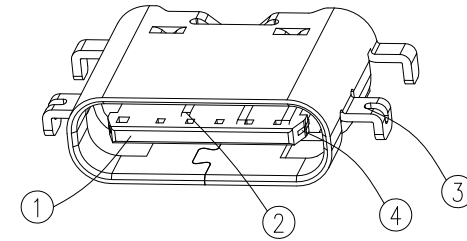
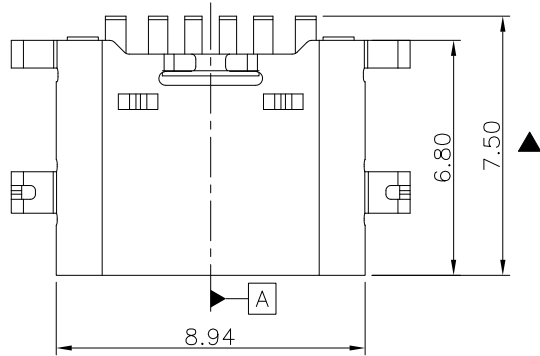


REV	ECN No.	DATE	REMARK
A	NEW	2020.05.04	NEW RELEASE



USB TYPE-C PIN ASSIGNMENTS

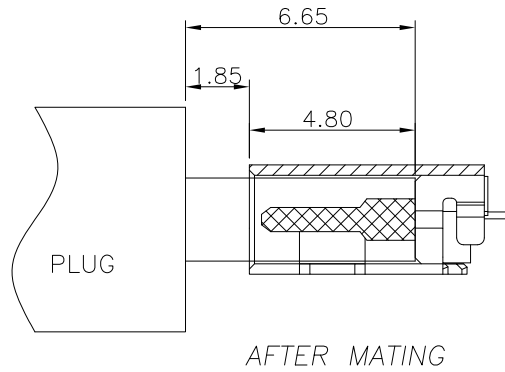
A5	CC1	B12	GND
A9	VBUS	B9	VBUS
A12	GND	B5	CC2
PIN	SIGNAL NAME	PIN	SIGNAL NAME

TABLE:

NO.	DESCRIPTION	MATERIAL	REMARKS	QTY
4	LATCH	STAINLESS STEEL SUS301	----	1SET
3	SHELL	STAINLESS STEEL SUS201	Ni:50u" Plated	1SET
2	CONTACT	COPPER ALLOY C2860	接触区镀金, 镀底50U以上, 焊接区见料号	1SET
1	HOUSING	HIGH TEMPERATURE PLASTIC	LCP BLACK UL94V-0	1PCS

PART NO.:	DRAWN BY:	深圳市中科兴达科技有限公司 SHENZHEN ZDT TECHNOLOGY CO.,LTD				
SEE THE PART NUMBER CODE	HuangXiaoHao		TITLE	USB TYPE-C FEMALE 6P沉板1.6四脚插板		
GENERAL TOLERANCES	CHECKED BY:					
x.xxxx ± ---	liuzongliang					
x.xxx ± 0.10	APPROVED BY:					
x.xx ± 0.20	Jacky					
x.x ± 0.30	THIRD ANGLE PROJECTION					
ANGULAR ± 3'		DIMENSIONS	SCALE	DRAWING	SHEET NO.	DWG.NO.
		mm	1:1	A4	1 OF 2	CF227-06-99

REV	ECN No.	DATE	REMARK
A	NEW	2020.05.04	NEW RELEASE



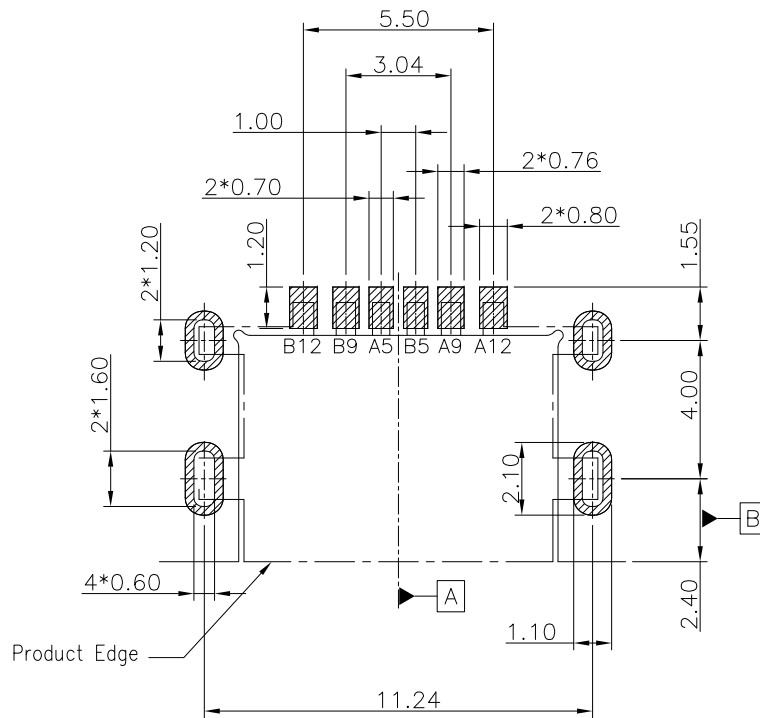
- NOTE:
- ELECTRICAL PERFORMANCE,
    - CURRENT RATING:3A
    - VOLTAGE RATING:20V DC/AC (RMS. MAX)
    - LLCR:.
  - MECHANICAL PERFORMANCE,
    - INSERTION FORCE: 5~20N.
    - EXTRACTION FORCE: 8~20N.
    - DURABILITY: 10000 CYCLES.
  - ENVIRONMENTAL PERFORMANCE:
    - OPERATING TEMPERATURE: -30°C~+85°C.
  - IR REFLOW:
    - THE PEAK TEMPERATURE ON THE BOARD SHALL BE MAINTAINED FOR 10 SECONDS AT 260°C.
  - COMPLIANCE WITH ROHS REQUIREMENTS.
  - SALT SPRAY:24H
  - With "▲" for the key control size

8.PART NUMBER CODE:  
CF227-06SL B XX XX-99  
(1) (2) (3)

(1) HOUSING COLOR:  
B:BLACK

(2) CONTACTS PLATED:  
01:接触区镀金1u''焊接区域镀锡50u''  
11:接触区镀金1u''焊接区域GF

(3) PACKING OPTIONS  
R:TAPE & REEL(常用料)  
VR:卷装+真空包装(专用客户指定包规)



PART NO.:		DRAWN BY:		<b>ZDT</b> 深圳市中科兴达科技有限公司 SHENZHEN ZDT TECHNOLOGY CO.,LTD	
SEE THE PART NUMBER CODE		HuangXiaoHao			
GENERAL TOLERANCES		CHECKED BY:		TITLE USB TYPE-C FEMALE 6P沉板1.6四脚插板	
x.xxxx	± ---	liuzongliang			
x.xxx	± 0.10	APPROVED BY:			
x.xx	± 0.20	Jacky		DIMENSIONS	
x.x	± 0.30	THIRD ANGLE PROJECTION		SCALE	DRAWING
ANGULAR	± 3'			1:1	A4
				SHEET NO.	DWG.NO.
				2 OF 2	CF227-06-99