

300mA 20V High Voltage Low Noise Low Dropout LDO

Features

- Input Voltage Range: 2.5V to 20V
- Output Voltage Range:
 - Adjustable Operation: 1.2V to 18V
 - Fixed Operation: 1.8V, 3.3V, and 5.0V
- Maximum Output Current: 300mA
- Low Dropout Voltage: 152mV at 300mA
- Low noise: $45\mu V_{RMS}$
- Output Voltage Accuracy: 2% over Line, Load and Temperature
- Low Quiescent Current: $I_{GND} = 69\mu A$
- Fast Load and Line Transient Responses
- Thermal Shutdown and Over-Current Protection
- Stable with $1\mu F$ or larger ceramic capacitors
- Operating Junction Temperature: $-40^{\circ}C$ to $+125^{\circ}C$
- SOT23-5 Package

Description

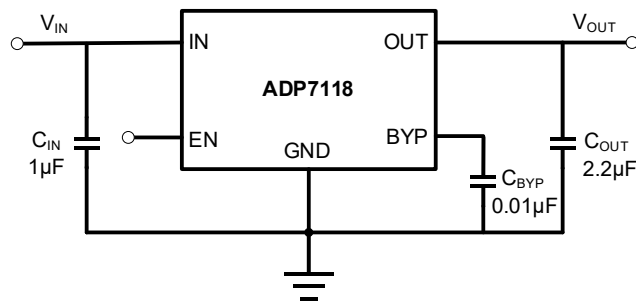
ADP7118 is a high voltage, high PSRR and low dropout voltage linear regulator capable of sourcing 300mA current. The output voltage can be adjusted from 1.2V to 18V by using external resistor divider for the adjustable version. The fixed version output voltage spans from 1.8V to 5.0V.

The ADP7118 also features internal current limit and thermal shutdown protection, as well as automatic discharge function to quickly discharge V_{OUT} in the disabled states.

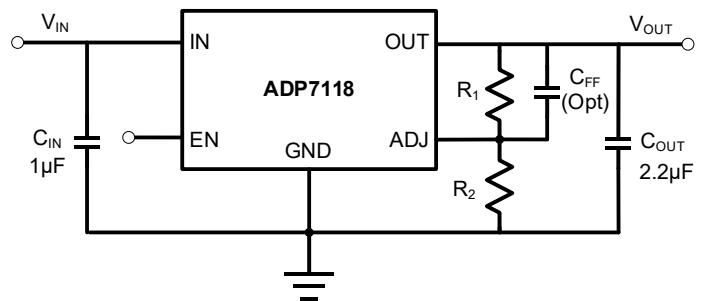
Applications

- Regulation to Noise Sensitive Applications: ADC and DAC Circuits, Power for VCO Control
- Communications and Infrastructure
- Medical Devices
- Industrial and Instrumentation

Typical Application Circuits

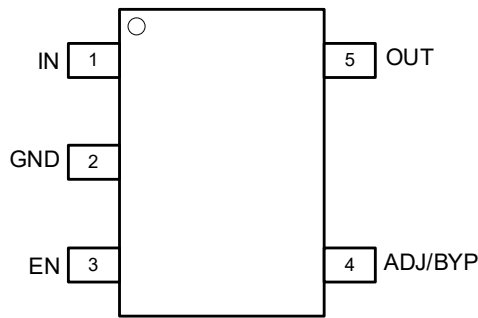


Fixed Output Voltage



Adjustable Output Voltage

Pin Configuration and Functions



SOT23-5 (Top View)

Pin Descriptions

PIN Number	PIN Name	I/O	Function
1	IN	I	Input supply voltage pin. It is recommended to use a 1 μ F or larger ceramic capacitor from IN pin to ground to get a good power supply decoupling.
2	GND	-	Ground.
3	EN	I	Enable Pin. Drive EN high to turn on the regulator. Drive EN low to turn off the regulator.
4	ADJ/BYP	I	For adjustable voltage version this is feedback voltage input pin. Connect this pin to the midpoint of an external resistor divider to adjust the output voltage. Place the resistors as close as possible to this pin. For fixed voltage version this is reference bypass pin. Connect an external capacitor to this pin can reduce the output to low noise level.
5	OUT	O	Regulator output voltage pin. A 1 μ F or larger ceramic capacitor from OUT to ground is required to ensure regulator stability. The capacitor should be placed as close to the output as possible. Minimize the impedance from the OUT pin to the load.

Package/Ordering Information

DEVICE	PACKAGE TYPE	OUTPUT VOLTAGE	PACKING OPTION
ADP7118AUJZ-1.8-R7	SOT23-5	1.8V	Tape and Reel, 3000
ADP7118AUJZ-3.3-R7	SOT23-5	3.3V	Tape and Reel, 3000
ADP7118AUJZ-5.0-R7	SOT23-5	5.0V	Tape and Reel, 3000
ADP7118AUJZ-R7	SOT23-5	ADJ	Tape and Reel, 3000

Electrical Specifications

Absolute Maximum Ratings

Parameter	Symbol	Value	Unit
IN, OUT and EN Pins	IN, OUT and EN	-0.3 to 22	V
ADJ Pin	ADJ/BYP	-0.3 to +6	V
Storage temperature range	T _{STG}	-65 to +150	°C
Output current	I _{OUT}	300	mA

Notes:

1. Exposure of the device under conditions beyond the limits specified by Maximum Ratings for extended periods may cause permanent damage to the device and affect product reliability. These conditions represent a stress rating only, and functional operations of the device at these or any other conditions above the operational limits noted in this specification is not implied.

ESD Ratings

		Value	Unit
V _{ESD}	Electrostatic Discharge	HBM (Human Body Model)	3000
		CDM (Charge Device Model)	1000

Recommended Operation Conditions

Over operating temperature range unless otherwise noted

Parameter	Symbol	Min	Max	Unit
Input Supply Voltage	V _{IN}	2.5	20	V
Enable Input Voltage	EN	0	20	V
Output Voltage	V _{OUT}	1.2	18	V
Adjustable/Bypass Pin Voltage	ADJ/BYP	0	5	V
Output Capacitance	C _{OUT}	1	47	μF
Output Current	I _{OUT}	0	300	mA
Operating Junction Temperature	T _J	-40	125	°C

Thermal Information

Package	R _{θJA}	Unit
SOT23-5	195	°C/W

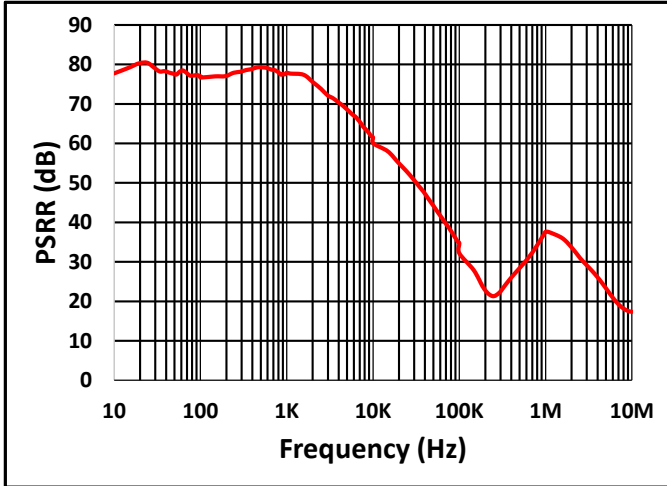
Electrical Characteristics

$V_{IN} = 2.5V$ or $V_{IN} = V_{OUT} + 1V$ (whichever is greater), $I_{OUT} = 1mA$, $C_{OUT} = 2.2\mu F$, typical values are at $T_A = 25^\circ C$ unless otherwise noted

Parameter	Symbol	Test Conditions	Min	Typ	Max	Unit
Input Voltage	V_{IN}		2.5	-	20	V
Reference Voltage	V_{REF}			1.2		V
Output Voltage Accuracy		$0.1mA \leq I_{OUT} \leq 300mA$	-2.0	0	2.0	%
GND Pin Current	I_{GND}	$V_{IN} = 2.5V$, No Load		69		μA
		$V_{IN} = 2.5V$, $I_{OUT} = 300mA$		128		μA
Shutdown Current	I_{SHDN}	$V_{IN} = 2.5V$, $V_{EN} = 0V$		2.3		μA
Dropout Voltage	V_{DO}	$V_{OUT} = 3.3V$, $I_{OUT} = 300mA$		152		mV
Output Current Limit	I_{LIM}	$V_{OUT} = 90\%V_{OUT(NOM)}$		600		mA
Line Regulation	$\Delta V_{OUT(LINE)}$	$V_{IN} = V_{OUT} + 1V$ to 20V		0.05		mV/V
Load Regulation	$\frac{\Delta V_{OUT}}{(V_{OUT}\Delta I_{OUT})}$	$V_{IN} = 6V$, $I_{OUT} = 1mA$ to 300mA		0.8		%/A
EN pin low-level input voltage (device disabled)	$V_{IL(EN)}$				0.5	V
EN pin high-level input voltage (device enabled)	$V_{IH(EN)}$		1.6			V
EN PIN Leakage Current	I_{EN}	$V_{EN} = 20V$		0.8		μA
Power Supply Ripple Rejection	PSRR	$f = 1kHz$, $V_{OUT} = 3.3V$, $I_{OUT} = 300mA$		76		dB
Output Noise Voltage	V_N	BW = 100Hz to 100kHz, $C_{BYP} = 10nF$, $C_{OUT} = 2.2\mu F$, $V_{OUT} = 1.8V$, $I_{OUT} = 300mA$		45		μV_{RMS}
Thermal Shutdown Temperature	TSD			160		$^\circ C$
Thermal Shutdown Hysteresis	T_{HYS}			20		$^\circ C$

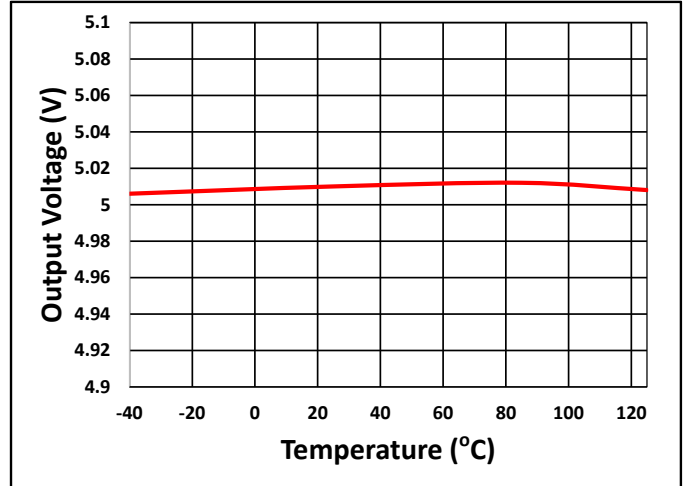
Typical Characteristics

$C_{IN} = 1\mu F$, $C_{OUT} = 2.2\mu F$, $I_{OUT} = 300mA$, $T_A = 25^\circ C$ unless otherwise noted



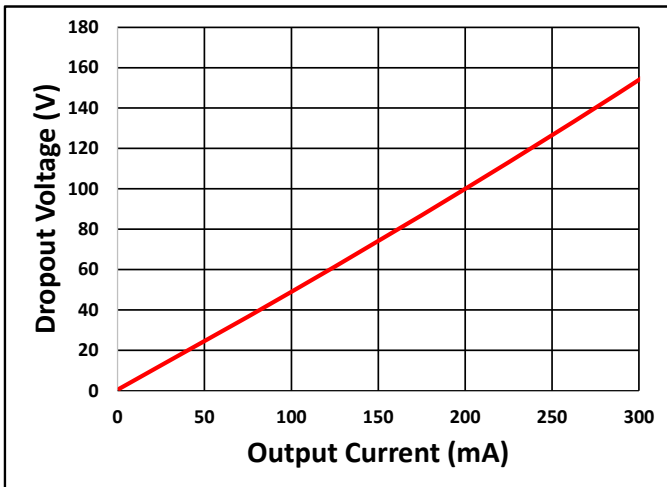
$V_{IN} = 5V$, $V_{OUT} = 3.3V$, $I_{OUT} = 300mA$, $C_{OUT} = 2.2\mu F$

Fig. 1 PSRR



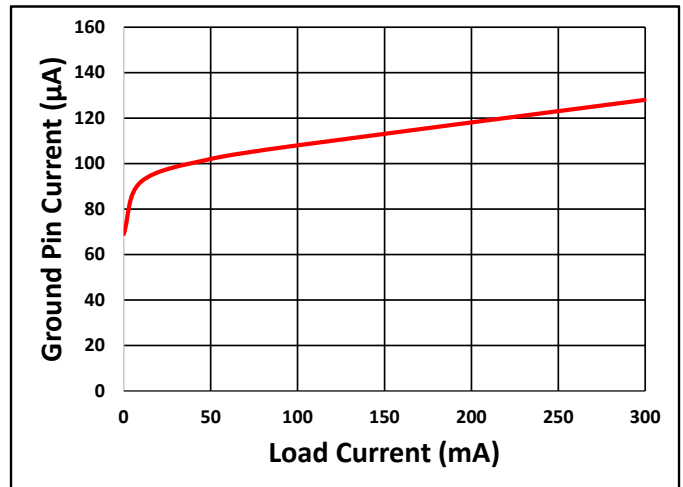
$V_{IN} = 6V$, $V_{OUT} = 5V$, $I_{OUT} = 0.1mA$

Fig. 2 Output Voltage vs Temperature



$V_{IN} = 6V$

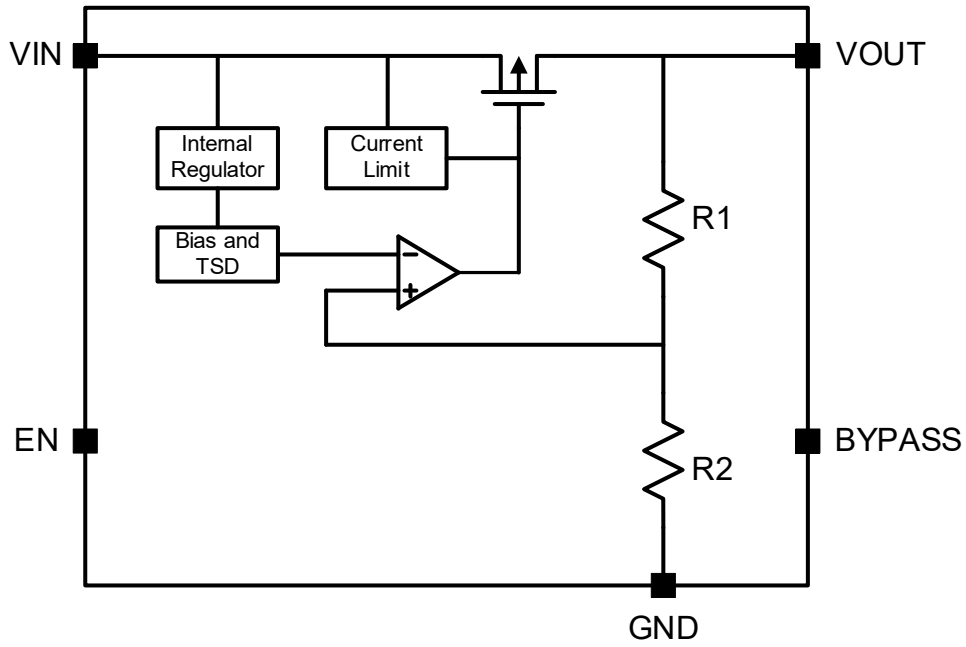
Fig. 3 Dropout Voltage



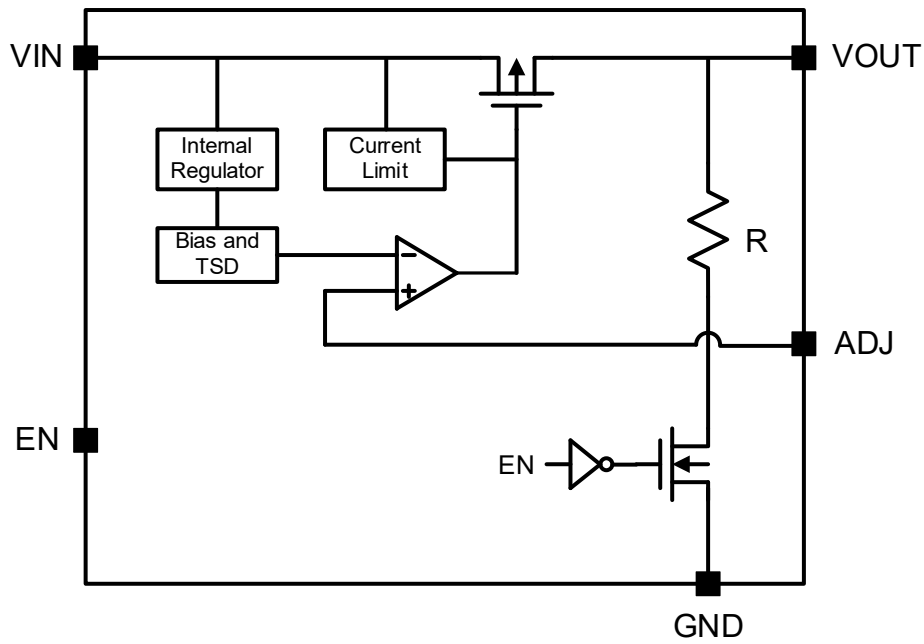
$V_{OUT} = 1.2V$, $I_{OUT} = 0.1mA$

Fig. 4 Ground Current vs Load Current

Functional Block Diagram



Block Diagram of Fixed Output Voltage



Block Diagram of Adjustable Output Voltage

Feature Description

Enable

The enable pin for ADP7118 is active high. The device is enabled when the enable pin voltage is greater than $V_{IH(EN)}$ and disabled with the enable pin voltage less than $V_{IL(EN)}$. If independent control of chip enable is not needed, then connect the enable pin to the input. The ADP7118 has an internal pulldown MOSFET that connects a discharge resistor from V_{OUT} to ground when the device is disabled to actively discharge the output voltage.

Output Current Limit and Short-Circuit Protection

When overload events happen, the output current is internally limited.

Undervoltage Lockout (UVLO)

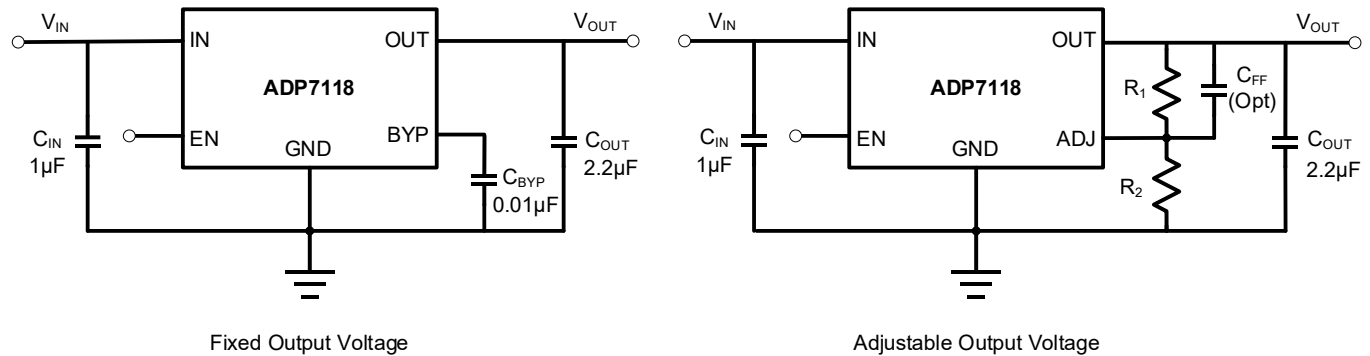
ADP7118 uses an undervoltage lockout circuit to keep the output shut off until the internal circuitry is operating properly.

Thermal Protection

ADP7118 contains a thermal shutdown protection circuit to turn off the output current when excessive heat is dissipated in the LDO.

Application Information

Typical Application for Fixed and Adjustable Output Voltage



Adjustable Output Voltage

The output voltage of the ADP7118 can be adjusted from 1.2V to 18V according to the following equation.

$$V_{OUT} = 1.2V \times \left(1 + \frac{R1}{R2}\right)$$

Input Capacitor and Output Capacitor

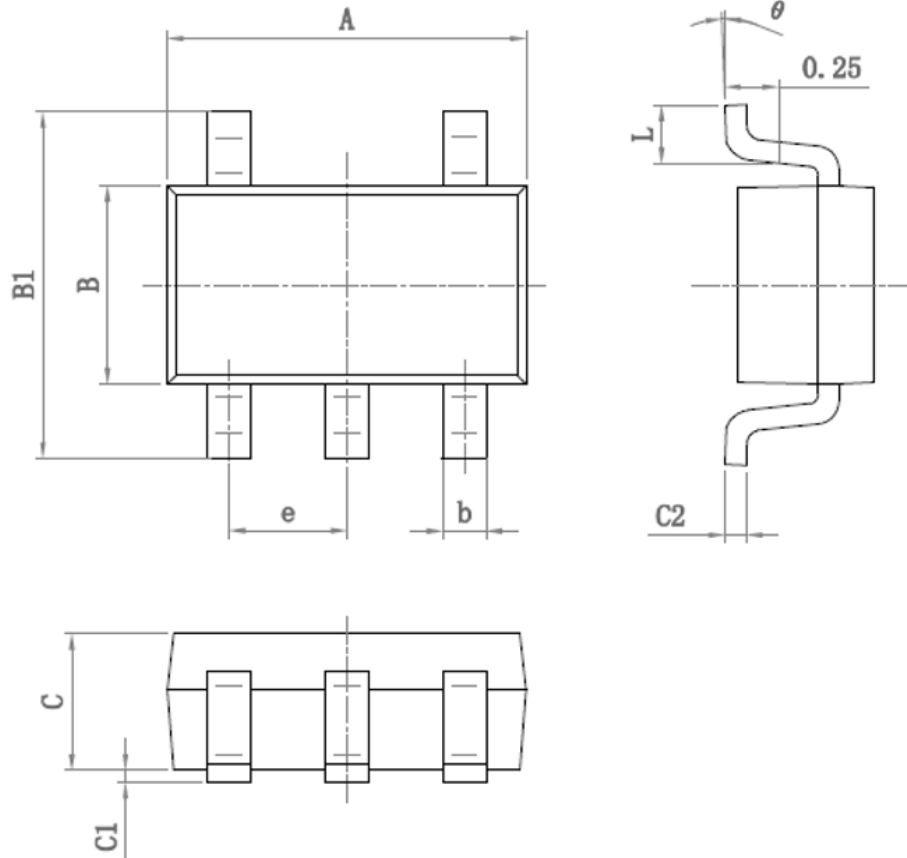
The ADP7118 is designed and characterized for operation with ceramic capacitors of 1µF or greater at the input and 1µF or greater at the output. Locate the input and output capacitors as near as practical to the input and output pins to minimize the trace inductance from the capacitor to the device.

Feed Forward Capacitor

A Feed-Forward Capacitor (C_{FF}) in parallel with the R₁ resistor as shown in the Figure above can be used to improve the output noise and PSRR performance. This C_{FF} is user optional for performance improvements not for LDO stability.

PACKAGE OUTLINE DIMENSIONS

SOT23-5



Symbol	Dimensions (mm)		Symbol	Dimensions (mm)	
	Min	Max		Min	Max
A	2.82	3.02	C	1.05	1.15
e	0.95 (BSC)		C1	0.03	0.15
b	0.28	0.45	C2	0.12	0.23
B	1.50	1.70	L	0.35	0.55
B1	2.60	3.00	θ	0°	8°