

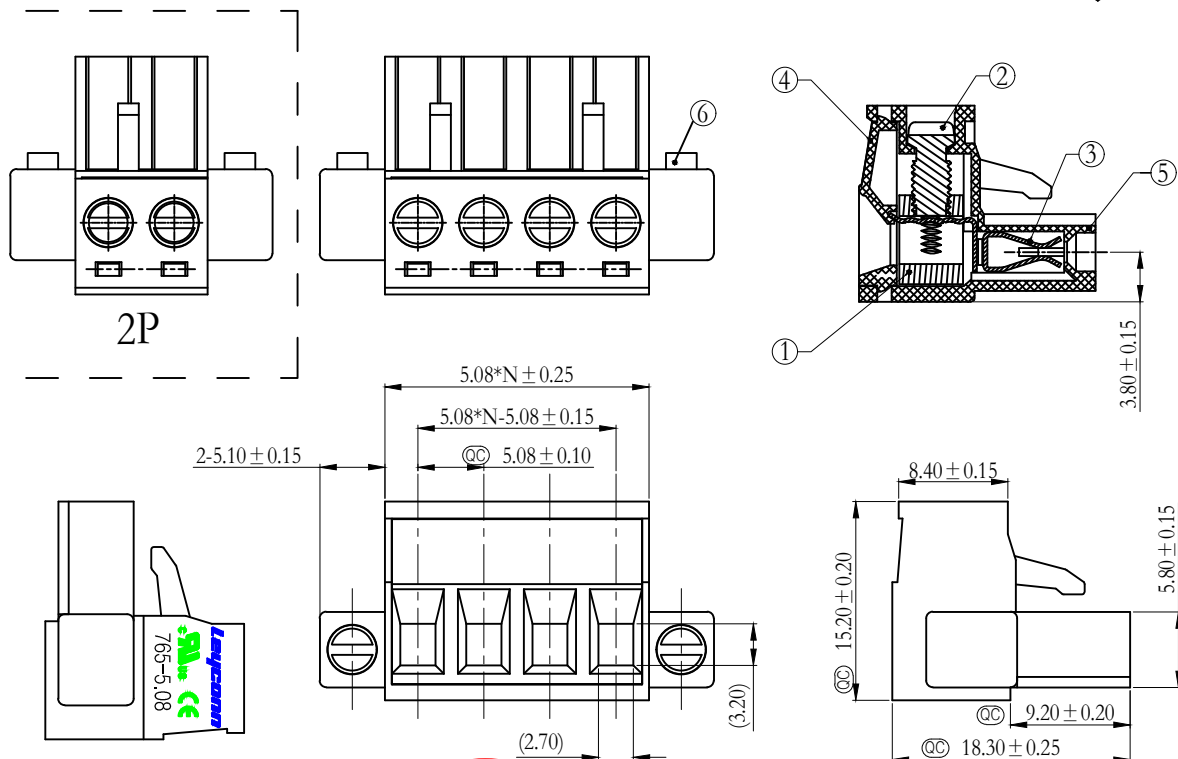
Material:

- Item① Clamp : Brass(CuZn) Ni plated ;
- Item② Terminal screw : Steel M3.0 , "-" slot type ;
- Item③ Female contact : Phosphor ,Tin plated ;
- Item④ Terminal Cover : PA66 (UL94V-0) ;
- Item⑤ Terminal housing : PA66 (UL94V-0) ;
- Item⑥ With flange screw : Steel M2.5, "-" slot type ;

Electrical:

- Voltage rating : 300VAC ;
- Current rating : 16A ;
- Wire range : 25mm² ;
- Solid wire (AWG) : 12-24 ;
- Stranded wire(AWG) : 12-24 ;
- Torque : 5Lb-In ;
- Screw : M3.0 ;
- Wire strip length : 7-8mm ;
- Operating temperature : -40°C~ +105°C .

Ⓢ Important Dimensions



Part Number :

7 5 56 B NN 0 X 0 0 0

Pitch:(Unit:mm)
B-5.08

Poles:
02=2 Contacts
.....
24=24 Contacts

Insulator Code:

- 1-Black 黑色
- 2-Grey 灰色
- 4-Blue 蓝色
- 8-Green 绿色
- 9-Orange 橙色



E			Units	mm	Scale	2:1	Drawing By	Date	Leyconn	LEYCONN ELECTRONICS CO.,LTD. 深圳市联益康电子有限公司
D			Tolerance Unless			Hui-Wen	2017/07/03	Http://www.leyconn.com		
C			Otherwise Specified			Revised By	Date		Sheet	1 of 1
B			.X ~ ±0.30			Nick-Yin	2017/07/03	Title		插拔式 接线端子 P5.08mm
A	RELEASED	03/07/17	.XX ~ ±0.25			Approval By	Date	Third Angle Projection		母座 RA H15.20MM 带耳
REV	DESCRIPTION.	Date	.XXX ~ ±0.20			Kirby-Xiao	2017/07/03	Part No.	7556BNN0X000	REV A
			Angle ~ ± 3°							