

## 300mA 20V Low-Noise LDO Voltage Regulator

### Features

- Wide Input Voltage Range: 2.5V to 20V
- Output Voltage Range:
  - Adjustable Operation: 1.2V to 18V
  - Fixed Operation: 1.8V, 3.3V, and 5.0V
- Maximum Output Current: 300mA
- Low Dropout Voltage: 275mV at 300mA
- Output Voltage Accuracy: 2%
- Fast Load and Line Transient Responses
- Low Noise When Using External Bypass Cap
- Thermal Shutdown and Over-Current Protection
- Stable with 1 $\mu$ F or Larger Ceramic Capacitor
- Operating Junction Temperature: -40°C to +125°C
- Available package: SOT23-5

### Description

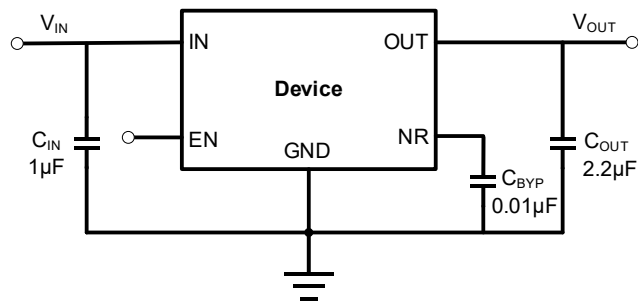
The device is a high voltage, high PSRR and low dropout voltage linear regulator capable of sourcing 300mA current. The output voltage can be adjusted from 1.2V to 18V by using external resistor divider for the adjustable version. The fixed version output voltage spans from 1.8V to 5.0V.

The device also features short-circuit current limit and thermal shutdown protection, as well as automatic discharge function to quickly discharge V<sub>OUT</sub> in the disabled states.

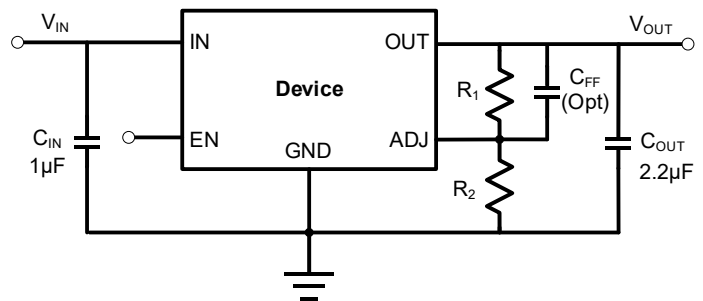
### Applications

- Cellular Phones
- Laptop computers
- Portable Equipment
- Battery-Powered Systems
- High-Efficiency Linear Power Supplies

### Typical Application Circuits

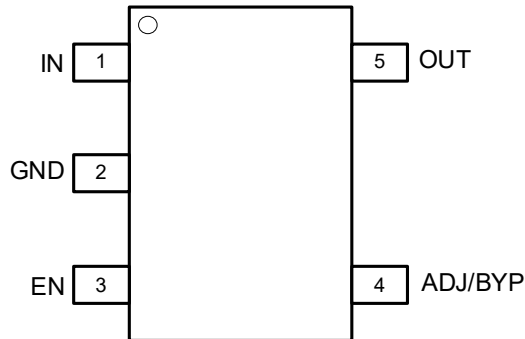


Fixed Output Voltage



Adjustable Output Voltage

## Pin Configuration and Functions



**5-Pin SOT-23 (Top View)**

## Pin Descriptions

PIN Number	PIN Name	I/O	Function
1	IN	I	Input supply voltage pin. It is recommended to use a 1 $\mu$ F or larger ceramic capacitor from IN pin to ground to get a good power supply decoupling.
2	GND	-	Ground.
3	EN	I	Enable Pin. Drive EN high to turn on the regulator. Drive EN low to turn off the regulator.
4	ADJ/BYP	I	For adjustable voltage version this is feedback voltage input pin. Connect this pin to the midpoint of an external resistor divider to adjust the output voltage. Place the resistors as close as possible to this pin. For fixed voltage version this is reference bypass pin. Connect an external 10nF capacitor from this pin to ground can reduce the output to a very low noise level. This pin can be left open if low noise at the output is not required.
5	OUT	O	Regulator output voltage pin. A 2.2 $\mu$ F or larger ceramic capacitor from OUT to ground is required to ensure regulator stability. The capacitor should be placed as close to the output as possible. Minimize the impedance from the OUT pin to the load.

## Ordering Information

DEVICE	PACKAGE TYPE	OUTPUT VOLTAGE	PACKING OPTION
SPX5205M5-L-1-8/TR	SOT23-5	1.8V	Tape and Reel, 3000
SPX5205M5-L-2-5/TR	SOT23-5	2.5V	Tape and Reel, 3000

SPX5205M5-L-3-3/TR	SOT23-5	3.3V	Tape and Reel, 3000
SPX5205M5-L-5-0/TR	SOT23-5	5.0V	Tape and Reel, 3000
SPX5205M5-L/TR	SOT23-5	ADJ	Tape and Reel, 3000

## Electrical Specifications

### Absolute Maximum Ratings

Parameter	Symbol	Value	Unit
IN, OUT and EN Pins	IN, OUT and EN	-0.3 to 22	V
ADJ Pin	ADJ/BYP	-0.3 to +6	V
Storage temperature range	T <sub>STG</sub>	-65 to +150	°C
Output current	I <sub>OUT</sub>	Internally Limited	mA

#### Notes:

1. Exposure of the device under conditions beyond the limits specified by Maximum Ratings for extended periods may cause permanent damage to the device and affect product reliability. These conditions represent a stress rating only, and functional operations of the device at these or any other conditions above the operational limits noted in this specification is not implied.

### ESD Ratings

		Value	Unit
V <sub>ESD</sub>	Electrostatic Discharge	HBM (Human Body Model)	3000
		CDM (Charge Device Model)	1000

### Recommended Operation Conditions

Over operating temperature range unless otherwise noted

Parameter	Symbol	Min	Max	Unit
Input Supply Voltage	V <sub>IN</sub>	2.5	20	V
Enable Input Voltage	EN	0	20	V
Output Voltage	V <sub>OUT</sub>	1.2	18	V
Adjustable/Bypass Pin Voltage	ADJ/BYP	0	5	V
Output Capacitance	C <sub>OUT</sub>	1	47	μF
Output Current	I <sub>OUT</sub>	0	300	mA
Operating Junction Temperature	T <sub>J</sub>	-40	125	°C

### Thermal Information

Package	R <sub>θJA</sub>	Unit
SOT23-5	195	°C/W

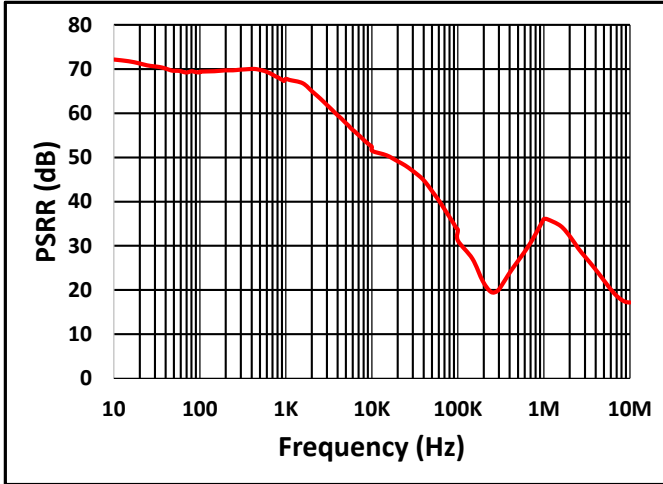
## Electrical Characteristics

$V_{IN} = 2.5V$  or  $V_{IN} = V_{OUT} + 1V$  (whichever is greater),  $I_{OUT} = 1mA$ ,  $C_{OUT} = 2.2\mu F$ , typical values are at  $T_A = 25^\circ C$  unless otherwise noted

Parameter	Symbol	Conditions	Min	Typ	Max	Unit
Input Voltage	$V_{IN}$		2.5	-	20	V
Reference Voltage	$V_{REF}$			1.2		V
Output Voltage Accuracy		$0.1mA \leq I_{OUT} \leq 300mA$	-2.0	0	2.0	%
GND Pin Current	$I_{GND}$	$V_{IN} = 2.5V$ , No Load		69		$\mu A$
		$V_{IN} = 2.5V$ , $I_{OUT} = 300mA$		145		$\mu A$
Shutdown Current	$I_{SHDN}$	$V_{IN} = 2.5V$ , $V_{EN} = 0V$		2.3		$\mu A$
Dropout Voltage	$V_{DO}$	$V_{OUT} = 3.3V$ , $I_{OUT} = 300mA$		230		mV
Output Current Limit	$I_{LIM}$	$V_{OUT} = 0V$	500			mA
Line Regulation	$\Delta V_{OUT(LINE)}$	$V_{IN} = V_{OUT} + 1V$ to 20V		0.05		mV/V
Load Regulation	$\frac{\Delta V_{OUT}}{V_{OUT} \Delta I_{OUT}}$	$V_{IN} = 6V$ , $I_{OUT} = 1mA$ to 300mA		0.3		%/A
EN pin low-level input voltage (device disabled)	$V_{IL(EN)}$				0.5	V
EN pin high-level input voltage (device enabled)	$V_{IH(EN)}$		1.6			V
EN PIN Leakage Current	$I_{EN}$	$V_{EN} = 20V$		0.8		$\mu A$
Power Supply Ripple Rejection	PSRR	$f = 1kHz$ , $V_{OUT} = 5V$ , $I_{OUT} = 300mA$		64		dB
Output Noise Voltage	$V_N$	BW = 100Hz to 100kHz, $C_{BYP} = 10nF$ , $C_{OUT} = 2.2\mu F$ , $V_{OUT} = 1.8V$ , $I_{OUT} = 300mA$		45		$\mu V_{RMS}$
Thermal Shutdown Temperature	TSD			160		$^\circ C$
Thermal Shutdown Hysteresis	$T_{HYS}$			20		$^\circ C$

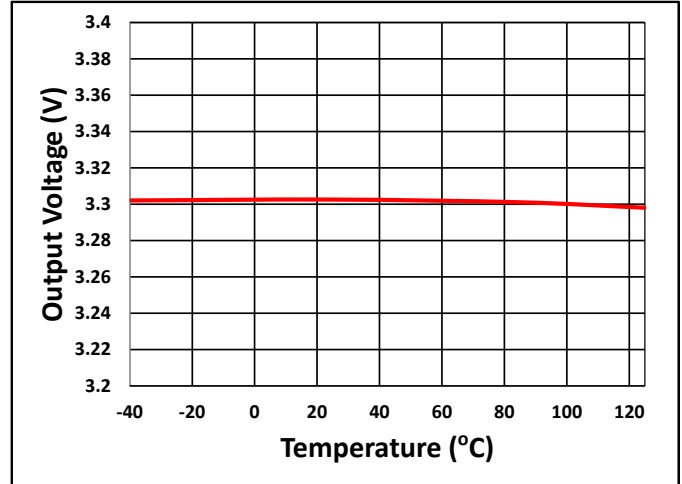
## Typical Characteristics

$C_{IN} = 1\mu F$ ,  $C_{OUT} = 2.2\mu F$ ,  $I_{OUT} = 300mA$ ,  $T_A = 25^\circ C$  unless otherwise noted



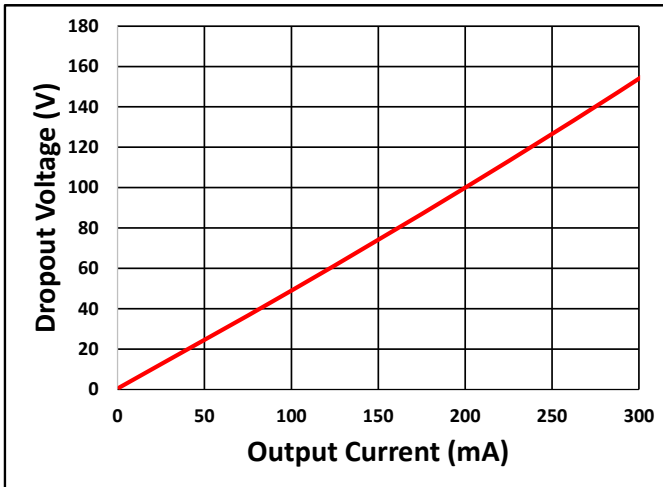
$V_{IN} = 6V$ ,  $V_{OUT} = 3.3V$ ,  $I_{OUT} = 300mA$ ,  $C_{OUT} = 2.2\mu F$

**Fig. 1 PSRR**



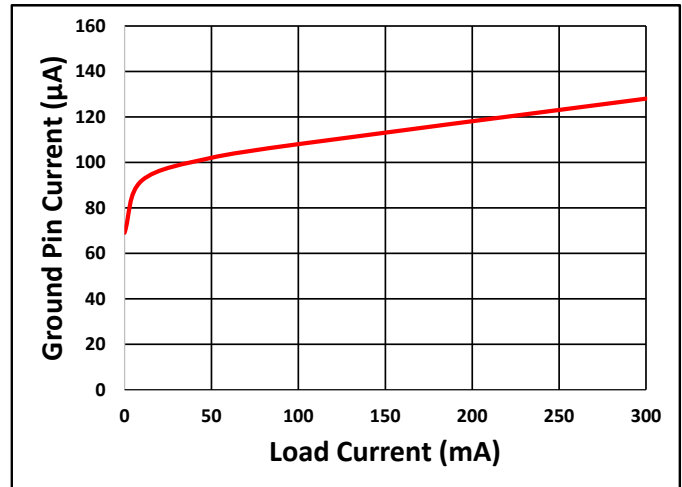
$V_{IN} = 6V$ ,  $V_{OUT} = 3.3V$ ,  $I_{OUT} = 0.1mA$

**Fig. 2 Output Voltage vs Temperature**



$V_{IN} = 6V$

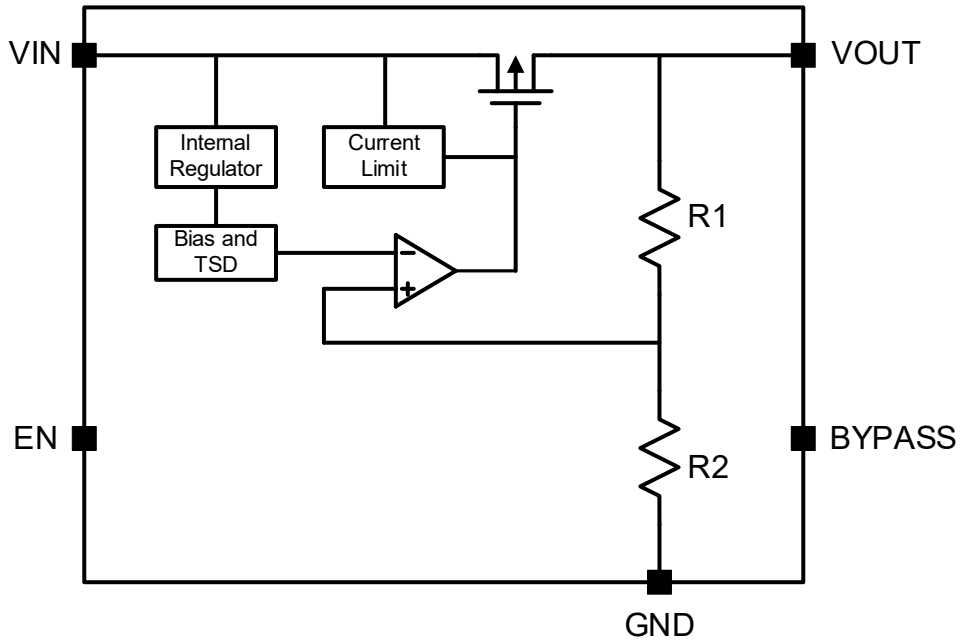
**Fig. 3 Dropout Voltage**



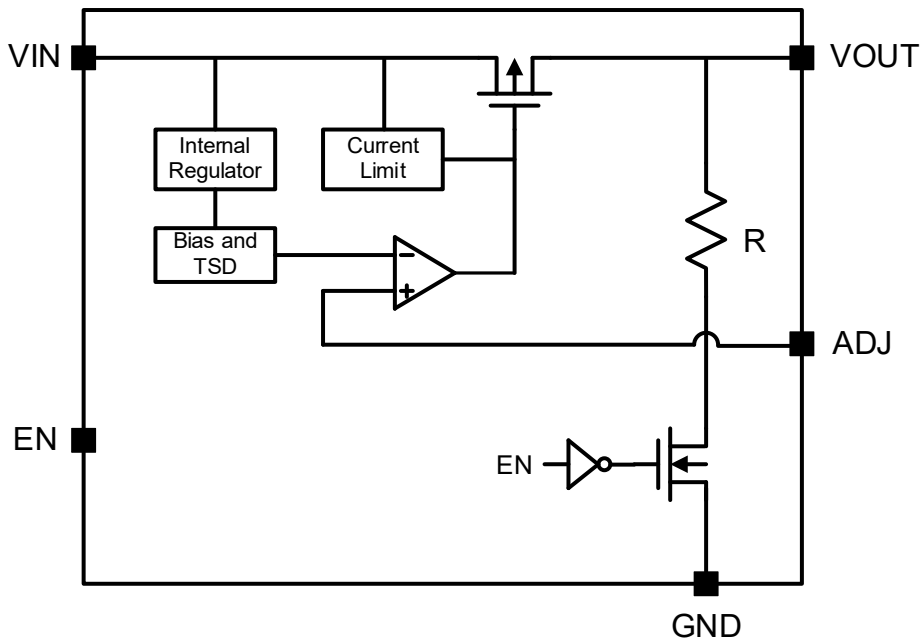
$V_{IN} = 6V$

**Fig. 4 Ground Current vs Load Current**

Functional Block Diagram



Block Diagram of Fixed Output Voltage



Block Diagram of Adjustable Output Voltage

**Feature Description*****Enable***

The enable pin for the LDO is active high. The device is enabled when the enable pin voltage is greater than  $V_{IH(EN)}$  and disabled with the enable pin voltage less than  $V_{IL(EN)}$ . If independent control of chip enable is not needed, then connect the enable pin to the input. The LDO has an internal pulldown MOSFET that connects a discharge resistor from VOUT to ground when the device is disabled to actively discharge the output voltage.

***Output Current Limit and Short-Circuit Protection***

When overload events happen, the output current is internally limited.

***Undervoltage Lockout (UVLO)***

The LDO uses an undervoltage lockout circuit to keep the output shut off until the internal circuitry is operating properly.

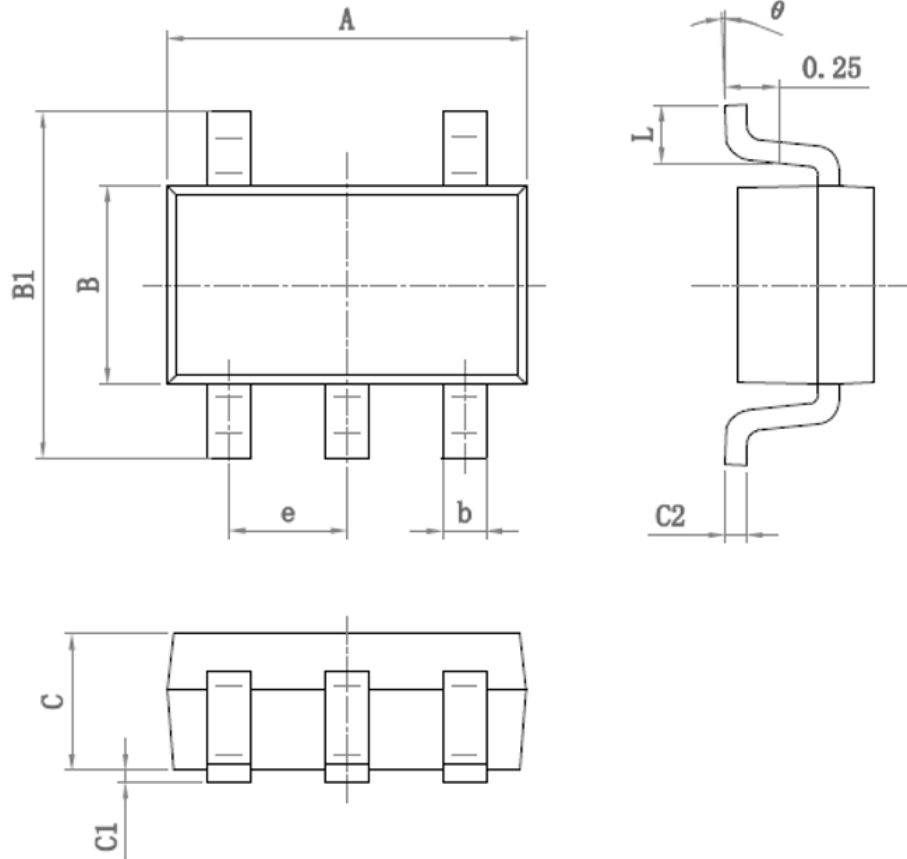
***Thermal Protection***

The LDO contains a thermal shutdown protection circuit to turn off the output current when excessive heat is dissipated in the LDO.



## PACKAGE OUTLINE DIMENSIONS

SOT23-5



Symbol	Dimensions (mm)		Symbol	Dimensions (mm)	
	Min	Max		Min	Max
A	2.82	3.02	C	1.05	1.15
e	0.95 (BSC)		C1	0.03	0.15
b	0.28	0.45	C2	0.12	0.23
B	1.50	1.70	L	0.35	0.55
B1	2.60	3.00	θ	0°	8°