

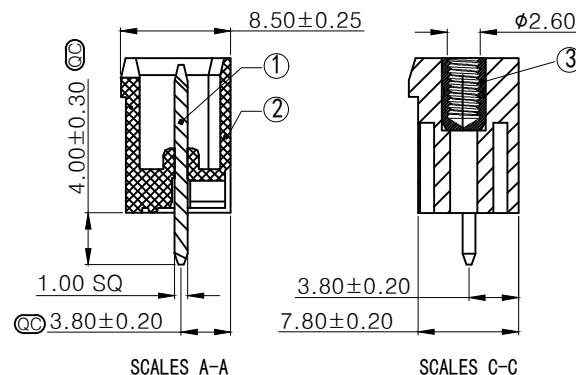
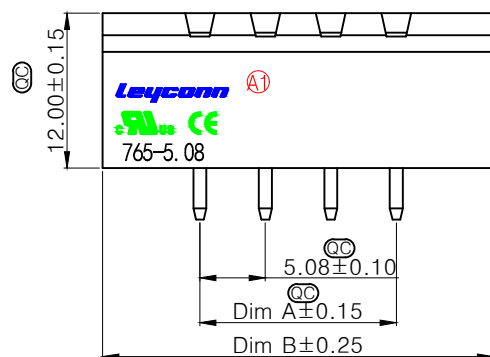
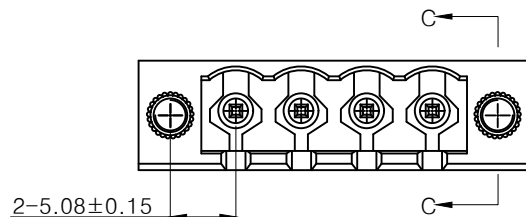
This document contains information confidential and proprietary to LEYCONN and shall not be reproduced or transferred to another document or disclosed to others or used for any purpose other than that for which it was obtained without the express written consent of LEYCONN.

RoHS



A2

PIN No (NN)	Dim A	Dim B	PIN No (NN)	Dim A	Dim B
02	5.08	20.32	12	55.88	71.12
03	10.16	25.40	13	60.96	76.20
04	15.24	30.48	14	66.04	81.28
05	20.32	30.48	15	71.12	86.36
06	25.40	35.56	16	76.20	91.44
07	30.48	45.72	17	81.28	96.52
08	35.56	50.80	18	86.36	101.60
09	40.64	55.88	19	91.44	106.68
10	45.72	60.96	20	96.52	111.76
11	50.80	66.04			



Material:

Item① Contact pin : Brass(CuZn) Ni plated ;

Item② Housing : PA66 (UL94V-0) ;

Item③ With flange nut : Brass M2.5 ;

Electrical:

Voltage rating : 300VAC ;

Current rating : 20A ;

Operating temperature : -40°C~ +105°C .

Ⓞ Important Dimensions

Part Number :

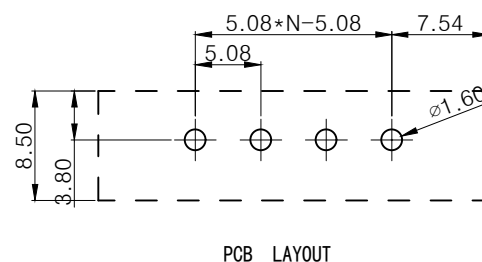
7 6 56 B NN 0 X 0 0 0

Pitch:(Unit:mm)
B-5.08

Poles:
02=2 Contacts
.....
24=24 Contacts

Insulator Code:

- 1-Black 黑色
- 2-Grey 灰色
- 4-Blue 蓝色
- 8-Green 绿色
- 9-Orange 橙色



E			Units	mm	Scale	3:1
D			Tolerance Unless Otherwise Specified			
A2	更新图纸如图(A2)所示	24/06/24	.X ~ ±0.30			
A1	更新LOGO位置	23/05/24	.XX ~ ±0.25			
A	RELEASED	03/07/17	.XXX ~ ±0.20			
REV	DESCRIPTION.	Date	Angle ~ ± 3°			

Drawing By	Date
Lin-Wu	2024/06/24
Revised By	Date
Nick-Yin	2024/06/24
Approval By	Date
Kirby-Xiao	2024/06/24

Leyconn LEYCONN ELECTRONICS CO.,LTD.
 深圳市联益康电子有限公司
 Http://www.leyconn.com TEL: +86(755)26078616 FAX: 26070522

Sheet 1 of 1 Title 5.08插拔式 公座带耳型 直插型

Third Angle Projection Part No. 7656BNN0X000 REV A2