

## 1A 20V Low Dropout Linear Regulator

### Features

- Very Low Dropout Voltage: 580mV at 1A
- Ultra-Low Quiescent Current: 128 $\mu$ A Typical
- Wide Input Voltage Range: 2.5V to 20V
- Output Voltage Range:
  - Fixed Operation: 1.8V, 2.5V, 3.3V, 5V
- Maximum output current: 1A
- Output Voltage Accuracy: 2%
- No Minimum Load Requirement
- Fast Load and Line Transient Responses
- Thermal Shutdown and Over-Current Protection
- Stable with 2.2 $\mu$ F or Larger Ceramic Capacitor
- Operating Junction Temperature: -40°C to +125°C
- Available packages: SOT-223, TO-252

### Applications

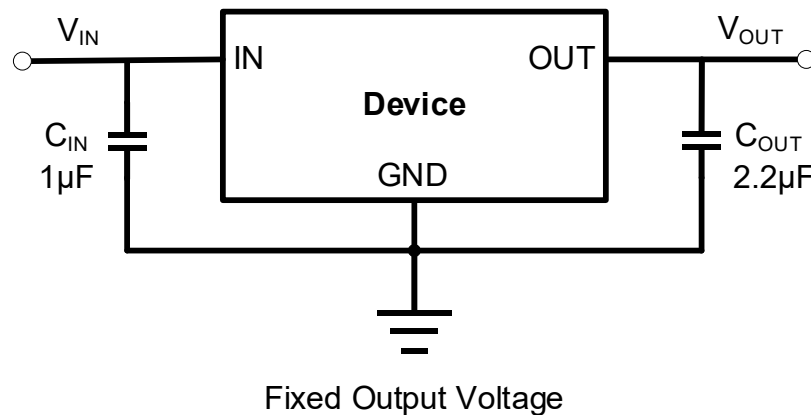
- Post Regulator for Switching DC-DC Converter
- Battery Chargers
- Portable Equipment
- High-Efficiency Linear Regulators

### Description

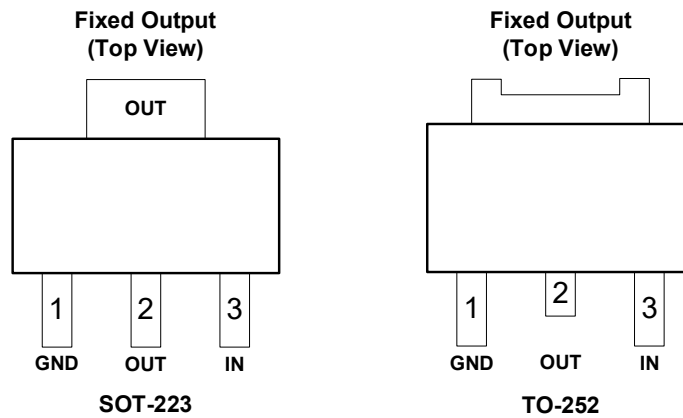
The TLV1117 is a high voltage, high PSRR and low dropout voltage linear regulator with much lower quiescent current compared to conventional x1117 LDOs. The device provides fixed output voltages of 1.8V, 2.5V, 3.3V and 5V.

The TLV1117 also features over current limit and thermal shutdown protection, as well as automatic discharge function to quickly discharge  $V_{OUT}$  in the disabled states.

### Typical Application Circuits



## Pin Configuration and Functions



### Pin Descriptions

PIN Number	PIN Name	I/O	Function
1	GND	-	Ground.
2	OUT	O	Regulator output voltage pin. A 2.2 $\mu$ F or larger ceramic capacitor from OUT to ground is required to ensure regulator stability. The capacitor should be placed as close to the output as possible. Minimize the impedance from the OUT pin to the load.
3	IN	I	Input supply voltage pin. It is recommended to use a 1 $\mu$ F or larger ceramic capacitor from IN pin to ground to get a good power supply decoupling.

### Package/Ordering Information

DEVICE	PACKAGE TYPE	OUTPUT VOLTAGE	PACKING OPTION
TLV1117-18IDCYR	SOT-223	1.8V	Tape and Reel, 1000
TLV1117-25IDCYR	SOT-223	2.5V	Tape and Reel, 1000
TLV1117-33IDCYR	SOT-223	3.3V	Tape and Reel, 1000
TLV1117-50IDCYR	SOT-223	5.0V	Tape and Reel, 1000
TLV1117-18IKVURG3	TO-252	1.8V	Tape and Reel, 1000
TLV1117-25IKVURG3	TO-252	2.5V	Tape and Reel, 1000
TLV1117-33IKVURG3	TO-252	3.3V	Tape and Reel, 1000
TLV1117-50IKVURG3	TO-252	5.0V	Tape and Reel, 1000

## Electrical Specifications

### Absolute Maximum Ratings

Parameter	Symbol	Value	Unit
IN and OUT Pins	IN and OUT	-0.3 to 22	V
Storage temperature range	T <sub>STG</sub>	-65 to +150	°C
Output current	I <sub>OUT</sub>	Internally Limited	A

#### Notes:

1. Exposure of the device under conditions beyond the limits specified by Maximum Ratings for extended periods may cause permanent damage to the device and affect product reliability. These conditions represent a stress rating only, and functional operations of the device at these or any other conditions above the operational limits noted in this specification is not implied.

### ESD Ratings

		Value	Unit
V <sub>ESD</sub>	Electrostatic Discharge	HBM (Human Body Model)	3000
		CDM (Charge Device Model)	1000

### Recommended Operation Conditions

Over operating temperature range unless otherwise noted

Parameter	Symbol	Min	Max	Unit
Input Supply Voltage	V <sub>IN</sub>	2.5	20	V
Output Voltage	V <sub>OUT</sub>	1.8	5	V
Output Capacitance	C <sub>OUT</sub>	2.2	47	μF
Output Current	I <sub>OUT</sub>	0	1	A
Operating Junction Temperature	T <sub>J</sub>	-40	125	°C

### Thermal Information

Package	R <sub>θJA</sub>	Unit
SOT-223	95	°C/W
TO-252	70	°C/W

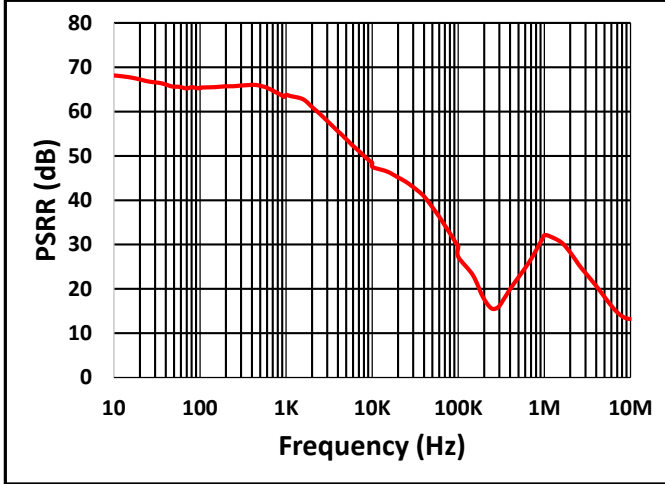
## Electrical Characteristics

$V_{IN} = 2.5V$  or  $V_{IN} = V_{OUT} + 1V$  (whichever is greater),  $I_{OUT} = 1mA$ ,  $C_{OUT} = 2.2\mu F$ , typical values are at  $T_A = 25^\circ C$  unless otherwise noted

Parameter	Symbol	Test Conditions	Min	Typ	Max	Unit
Input Voltage	$V_{IN}$		2.5	-	20	V
Output Voltage Accuracy		$0.1mA \leq I_{OUT} \leq 1A$	-2.0	0	2.0	%
GND Pin Current	$I_{GND}$	$V_{IN} = 20V$ , No Load		128		$\mu A$
		$V_{IN} = 20V$ , $I_{OUT} = 1A$		220		$\mu A$
Dropout Voltage	$V_{DO}$	$V_{OUT} = 3.3V$ , $I_{OUT} = 1A$		580		mV
Output Current Limit	$I_{LIM}$	$V_{OUT} = 0$		1.6		A
Line Regulation	$\Delta V_{OUT(LINE)}$	$V_{IN} = (V_{OUT} + 1V)$ to 20V		1		mV
Load Regulation	$\frac{\Delta V_{OUT}}{\Delta I_{OUT}}$	$V_{IN} = 6V$ , $I_{OUT} = 1mA$ to 1A		0.2		%/A
EN pin low-level input voltage (device disabled)	$V_{IL(EN)}$				0.5	V
EN pin high-level input voltage (device enabled)	$V_{IH(EN)}$		1.6			V
EN PIN Leakage Current	$I_{EN}$	$V_{EN} = 20V$		0.8		$\mu A$
Power Supply Ripple Rejection	PSRR	$f = 1kHz$ , $V_{OUT} = 5V$ , $I_{OUT} = 1A$		64		dB
Thermal Shutdown Temperature	TSD			160		$^\circ C$
Thermal Shutdown Hysteresis	$T_{HYS}$			20		$^\circ C$

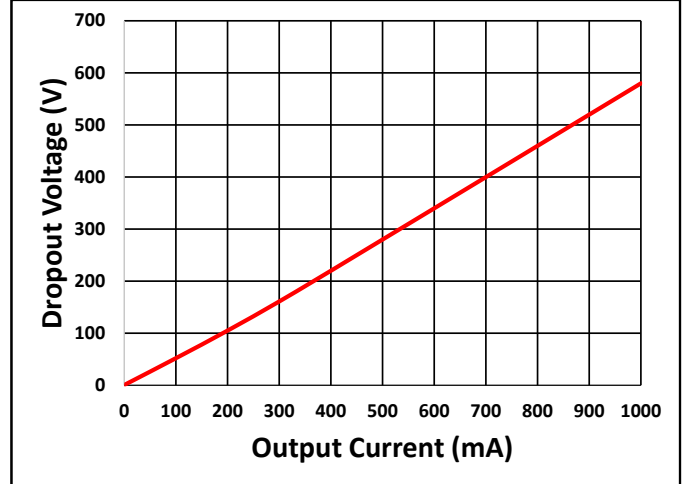
## Typical Characteristics

$C_{IN} = 1\mu F$ ,  $C_{OUT} = 2.2\mu F$ ,  $I_{OUT} = 1A$ ,  $T_A = 25^\circ C$  unless otherwise noted



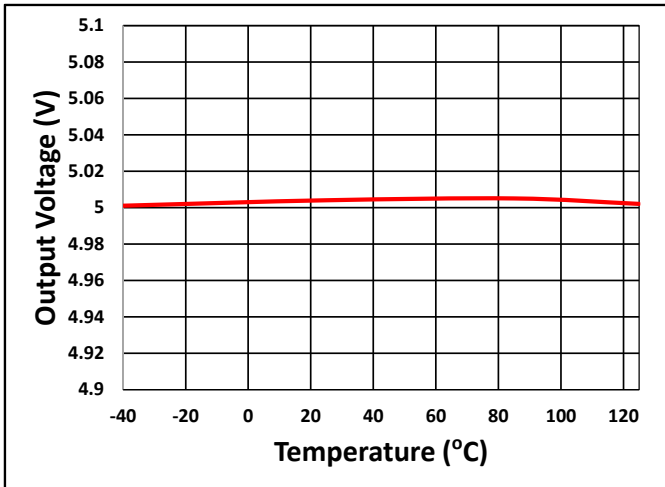
$V_{IN} = 6.5V$ ,  $V_{OUT} = 5V$ ,  $I_{OUT} = 500mA$ ,  $C_{OUT} = 2.2\mu F$

Fig. 1 PSRR



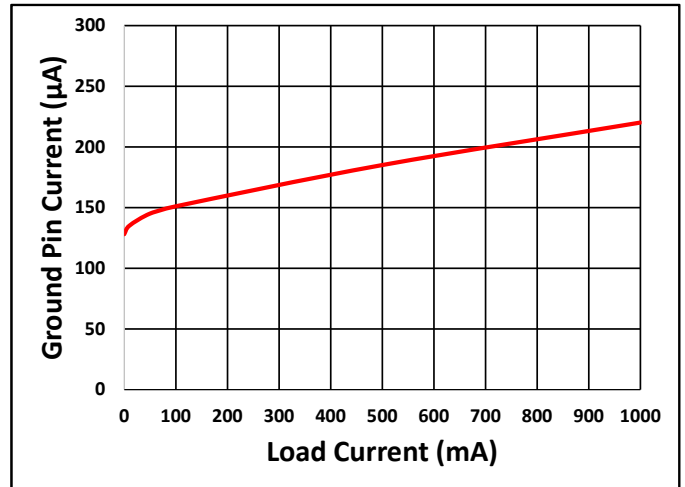
$V_{IN} = 6V$

Fig. 2 Dropout Voltage



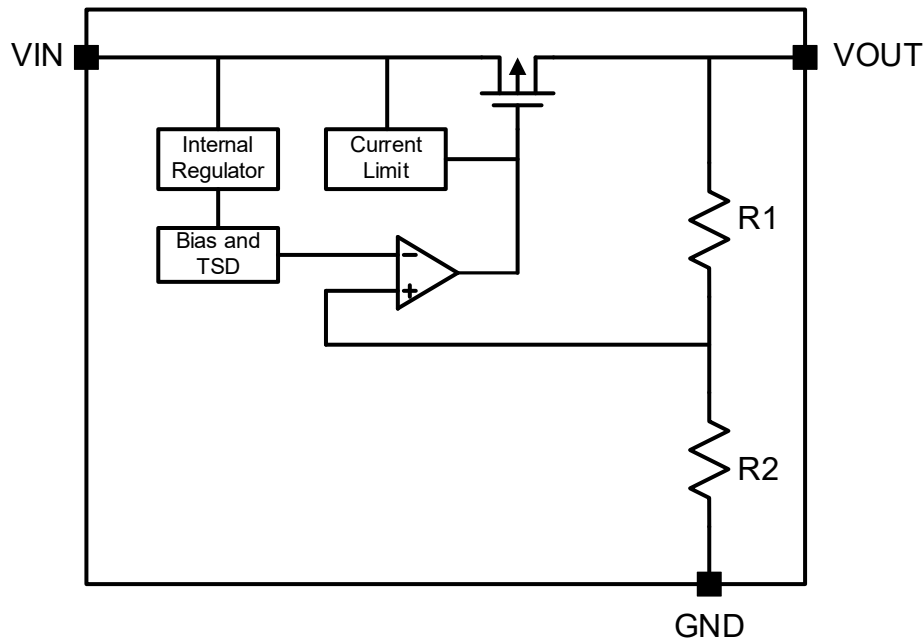
$V_{IN} = 6V$ ,  $I_{OUT} = 0.1mA$

Fig. 3 Output Voltage vs Temperature



$V_{IN} = 20V$

Fig. 4 Ground Current vs Load Current

**Functional Block Diagram****Block Diagram of Fixed Output Voltage****Feature Description*****Dropout Voltage***

Dropout voltage is defined as the input voltage minus the output voltage at the rated output current where the pass transistor is fully on. The pass transistor is in the ohmic or triode region of operation and acts as a switch. TLV1117 has a very low dropout voltage compared to most of the x1117 LDOs on the market.

***Output Current Limit and Short-Circuit Protection***

When overload events happen, the output current is internally limited.

***Undervoltage Lockout (UVLO)***

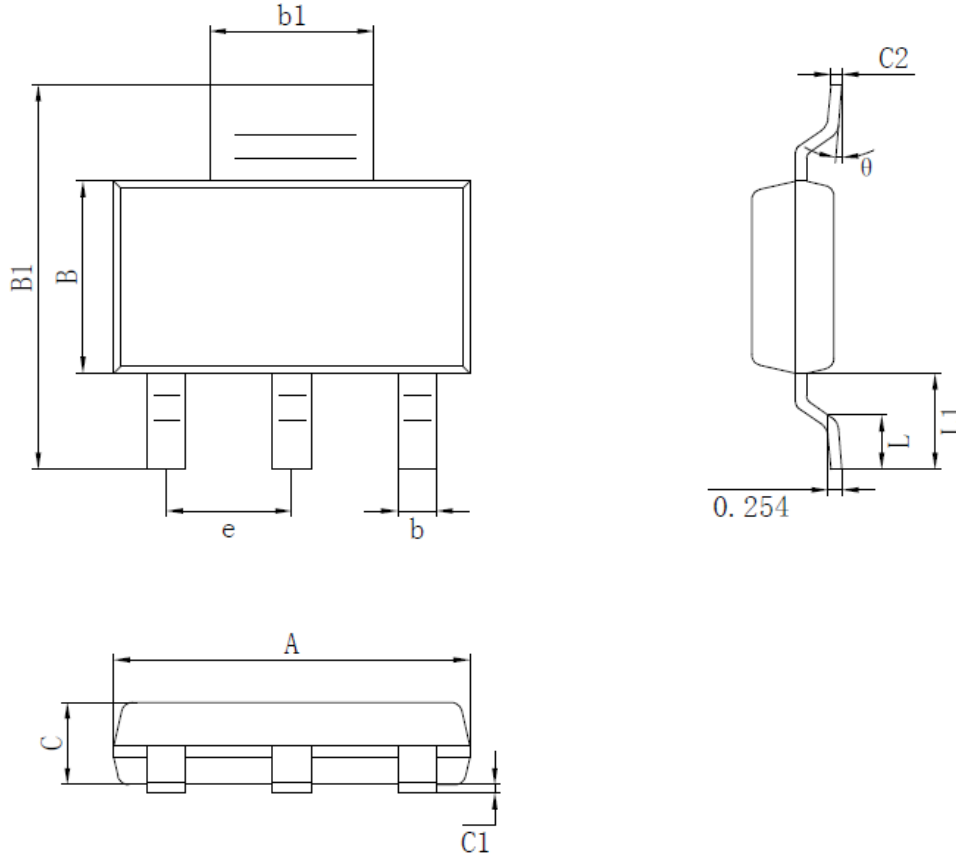
TLV1117 uses an undervoltage lockout circuit to keep the output shut off until the internal circuitry is operating properly.

***Thermal Protection***

TLV1117 contains a thermal shutdown protection circuit to turn off the output current when excessive heat is dissipated in the LDO.

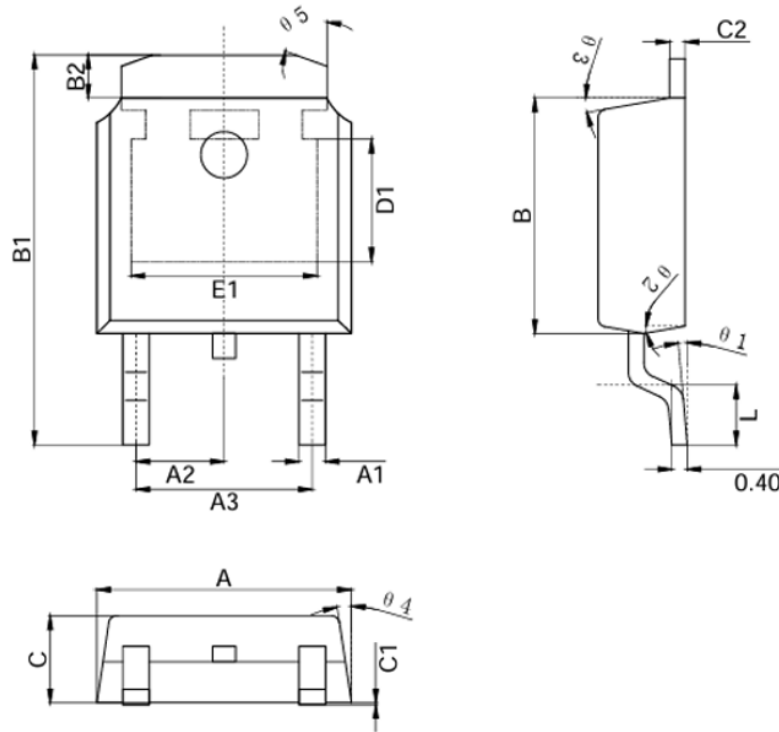
## PACKAGE OUTLINE DIMENSIONS

SOT-223



Symbol	Dimensions (mm)		Symbol	Dimensions (mm)	
	Min	Max		Min	Max
A	6.40	6.60	C	1.45	1.65
e	2.29 (BSC)		C1	0.03	0.15
b	0.66	0.76	C2	0.20	0.35
b1	2.95	3.05	L	0.76	1.16
B	3.40	3.60	L1	1.70	1.80
B1	6.85	7.15	$\theta$	0°	8°

TO-252



Symbol	Dimensions (mm)		Symbol	Dimensions (mm)	
	Min	Max		Min	Max
A	6.50	6.70	C2	0.375	0.45
A1	0.64	0.74	L	1.45	1.65
A2	2.286 TYP		D1	3.166 REF	
A3	4.572 TYP		E1	4.826 REF	
B	6.00	6.20	Θ1	0° ~ 8°	
B1	9.95	10.25	Θ2	10° TYP2	
B2	1.06	1.16	Θ3	10° TYP	
C	2.15	2.35	Θ4	8.5° TYP4	
C1	0.00	0.10	Θ5	70° TYP	